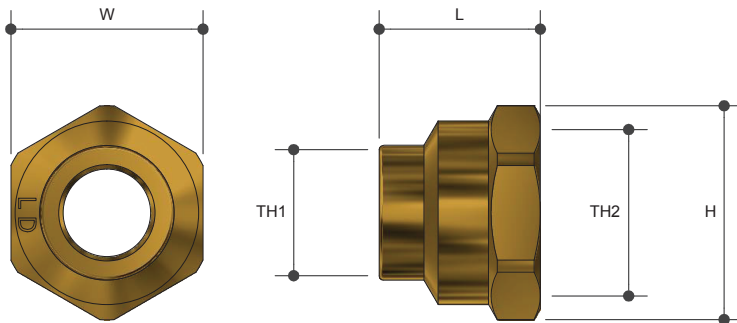


# FLARED COMPRESSION

## Nut Compression

### Product Specifications



### Specifications

Maximum Working Temperature 1°C to 95°C

Maximum Pressure Rating 1600kPa

### Features

Watermark Approved

Brass and Chrome Finish

Tested and Certified to AS 3688

### Sizing Chart (MM)

	L	H	W	TH1	TH2
AW258	15	19	17	6	G 1/4"
AW263	18	24	22	10	G 3/8"
AW264	20	28	25	15	G 1/2"
AW264NB	20	28	25	15	G 1/2"
AW265*	20	28	25	15	G 1/2"
AW266	24	35	32	20	G 3/4"
AW266NB	24	35	32	20	G 3/4"
AW268	25	43	38	25	G 1"
AW269	30	50	47	32	G 1 1/4"
AW270	34	58	55	40	G 1 1/2"
AW271	35	66	71	50	G 2"

\* Chrome Plated

### Material Chart

Part	Material
Compression Nut	Brass

For more information on Metforge, contact:  
Austworld 15 Activity Crescent, Molendinar, Queensland 4214 Australia  
P. 1300 780 430 F. 1300 780 441 E. info@austworld.com.au

Austworld Pty Ltd. All rights reserved 2018. Austworld and Metforge are registered trade mark belonging to Austworld Pty Ltd.

