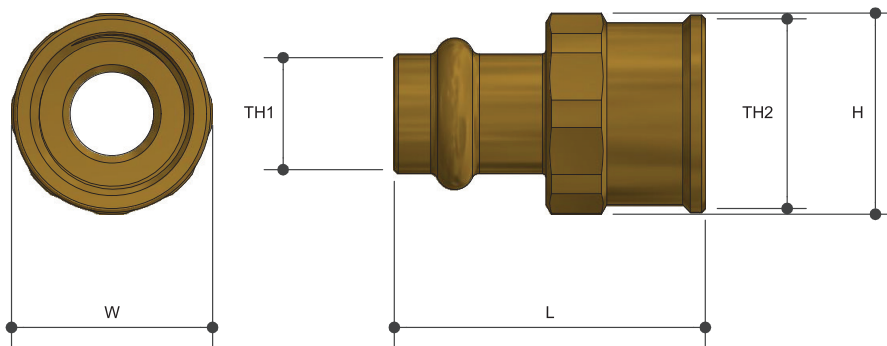


# GAS FITTINGS - BRASS

Union Fl

Product Specifications

**METPRESS**<sup>TM</sup>  
SUPERIOR PRESSFIT SYSTEM



## Specifications

Working temperature -40°C to 120°C

Max. pressure rating 1600kPa

## Sizing Chart (MM)

	L	H	W	TH1	TH2
PFG149	41	27	27	DN15	Rp 1/2"
PFG150	46	31	31	DN20	Rp 3/4"
PFG151	49	39	39	DN25	Rp 1"
PFG152	53	50	50	DN32	Rp 1 1/4"
PFG153	59	57	57	DN40	Rp 1 1/2"
PFG154	65	64	64	DN50	Rp 2"
PFG222	86	31	31	DN65	Rp 2 1/2"
PFG224	92	35	35	DN80	Rp 3"

## Material Chart

Part	Material
Body	DR Brass
O Ring	HNBR

For more information on Metpress fittings, contact:  
Austworld 15 Activity Crescent, Molendinar, Queensland 4214 Australia  
P. 1300 780 430 F. 1300 780 441 E. info@austworld.com.au

Austworld Pty Ltd. All rights reserved 2020.  
Austworld and Metpress are registered trade mark belonging to Austworld Pty Ltd.

## Features



DR Brass

100% pressure tested

Tested and certified to AS/NZS5601.1.2013

**AW**  
AUSTWORLD