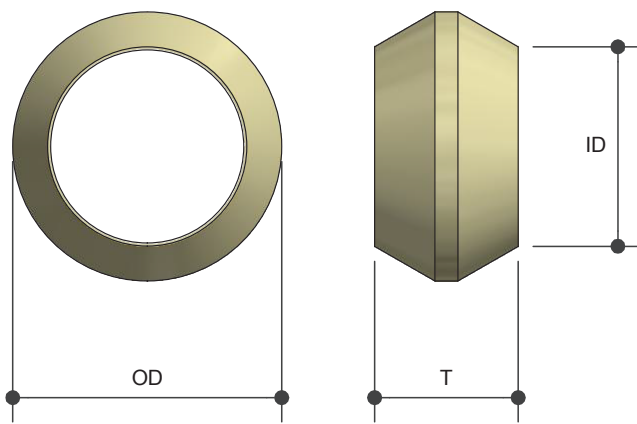


NYLON COMPRESSION

Olive Nylon

Product Specifications



Specifications

Maximum working temperature 1 °C to 95 °C

Maximum pressure rating 1600kPa

Sizing Chart (MM)

	OD	ID	T	SIZE
OL05	14	10	8	15MM
OL01	18	13	10	20MM
OL02	23	19	12	25MM
OL03	28	25	9	10MM

Features

Watermark approved

Tested and certified to AS 3688

Material Chart

Part	Material
Olive	Nylon

For more information on Metforge, contact:

Austworld 15 Activity Crescent, Molendinar, Queensland 4214 Australia

P. 1300 780 430

F. 1300 780 441

E. info@austworld.com.au

Austworld Pty Ltd. All rights reserved 2018. Austworld and Metforge are registered trade mark belonging to Austworld Pty Ltd.

