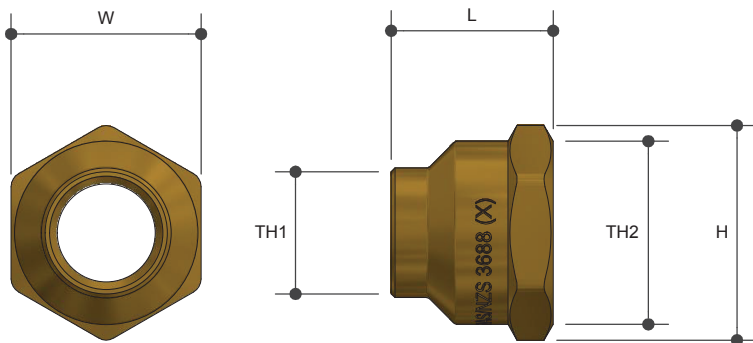


FLARED COMPRESSION

Nut Crox

Product Specifications



Specifications

Maximum Working Temperature 1°C to 95°C

Maximum Pressure Rating 1600kPa

Sizing Chart (MM)

	L	H	W	TH1	TH2
AW274	22	28	25	15	G 1/2"
AW275*	22	28	25	15	G 1/2"

* Chrome Plated



Features

Watermark Approved

Brass and Chrome Finish

Tested and Certified to AS 3688

Material Chart

Part	Material
Compression Nut	Brass

For more information on Metforge, contact:
Austworld 15 Activity Crescent, Molendinar, Queensland 4214 Australia
P. 1300 780 430 F. 1300 780 441 E. info@austworld.com.au

Austworld Pty Ltd. All rights reserved 2018. Austworld and Metforge are registered trade mark belonging to Austworld Pty Ltd.

