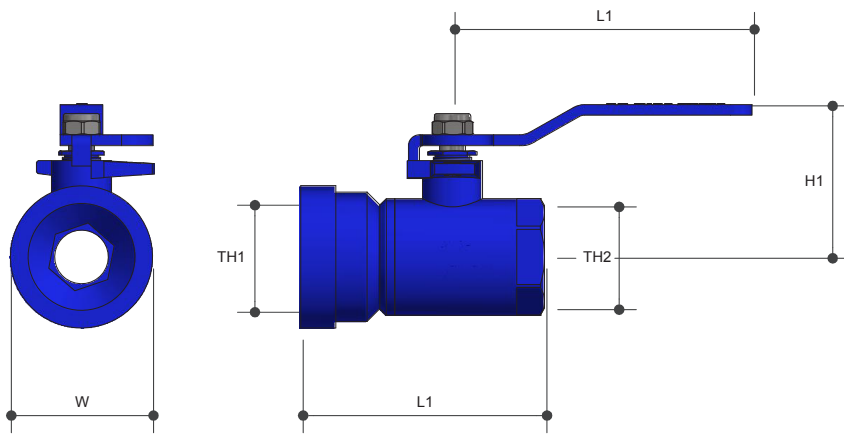


# MINE VALVE

Lever Handle FI X Shoulder

Product Specifications



## Specifications

Working temperature -15°C to 90°C

Maximum pressure rating 2500 KPa

## Sizing Chart (MM)

	L1	L2	H	W	TH1	TH2
MVCL25	114	140	71	66	50	Rp 1"
MVCL50	147	165	100	66	50	Rp 2"

## Features

Full Bore

100% pressure tested

Available in sizes 25mm (1") and 50mm (2")

## Material Chart

Part	Material
Ball	SS304
Seal	PTFE
Spindle	SS304
Gland Nut	Cast Iron QT-450
Cap	Cast Iron QT-450
Gland	PTFE
Lock Nut	SS304
Handle	Cast Iron QT-450
Body	Cast Iron QT-450

For more information on Logi Valve, contact:  
Austworld 15 Activity Crescent, Molendinar, Queensland 4214 Australia  
P. 1300 780 430 F. 1300 780 441 E. info@austworld.com.au

Austworld Pty Ltd. All rights reserved 2018. Austworld and Logi Valve are registered trade mark belonging to Austworld Pty Ltd.

