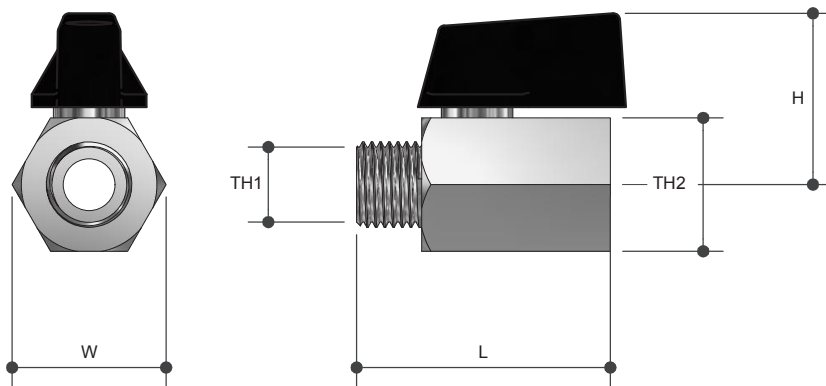


# GENERAL PURPOSE BALL VALVE

Mini Ball Valve MI X FI

Product Specifications



## Specifications

Working temperature 1°C to 120°C

Maximum pressure rating 1600kPa

## Features

100% pressure tested

Available in sizes from 4mm (1/8") to 15mm (1/2")

Blow proof spindle

## Sizing Chart (MM)

	L	H	W	TH1	TH2
MBV04M	40	27	20	G1/8"	G1/8"
MBV06M	38	27	20	G1/4"	G1/4"
MBV10M	42	27	20	G3/8"	G3/8"
MBV15M	45	29	23	G1/2"	G1/2"

## Material Chart

Part	Material
Body	Brass
Seal	PTFE
Ball	Brass
Body Nut	Brass
Spindle	Brass
Handle	Aluminium
Handle Screw	Steel
O Ring	NBR

For more information on Logi Valve, contact:  
 Austworld 15 Activity Crescent, Molendinar, Queensland 4214 Australia  
 P. 1300 780 430 F. 1300 780 441 E. info@austworld.com.au

Austworld Pty Ltd. All rights reserved 2018. Austworld and Logi Valve are registered trade mark belonging to Austworld Pty Ltd.

