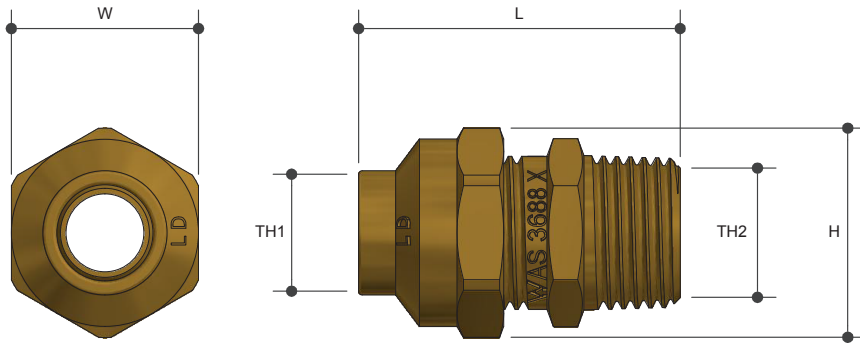


FLARED COMPRESSION

Union M I X C Lead Free

Product Specifications



Specifications

Maximum Working Temperature 1°C to 95°C

Maximum Pressure Rating 1600kPa

Features

Watermark Lead Free Approved

Brass and Chrome Finish

Tested and Certified to AS 3688

Sizing Chart (MM)

	L	H	W	TH1	TH2
AW84LF	31	20	18	6C	R 1/4"
AW93LF	38	24	22	10C	R 3/8"
AW102LF	43	28	25	15C	R 1/2"
AW102NBLF	43	28	25	15C	R 1/2"
AW103LF*	43	28	25	15C	R 1/2"
AW111LF	52	35	32	25C	R 3/4"
AW111NBLF	52	35	32	25C	R 3/4"
AW119LF	54	43	38	25C	R 1"
AW125LF	68	47	47	32C	R 1 1/4"
AW125NBLF	68	47	47	32C	R 1 1/4"
AW130LF	71	58	55	40C	R 1 1/2"
AW134LF	73	71	66	50C	R 2"

* Chrome Plated

Material Chart

Part	Material
Union	DR Lead Free Brass
Compression Nut	Brass

For more information on Metforge, contact:
Austworld 15 Activity Crescent, Molendinar, Queensland 4214 Australia

P. 1300 780 430 F. 1300 780 441 E. info@austworld.com.au

Austworld Pty Ltd. All rights reserved 2018. Austworld and Metforge are registered trade mark belonging to Austworld Pty Ltd.

