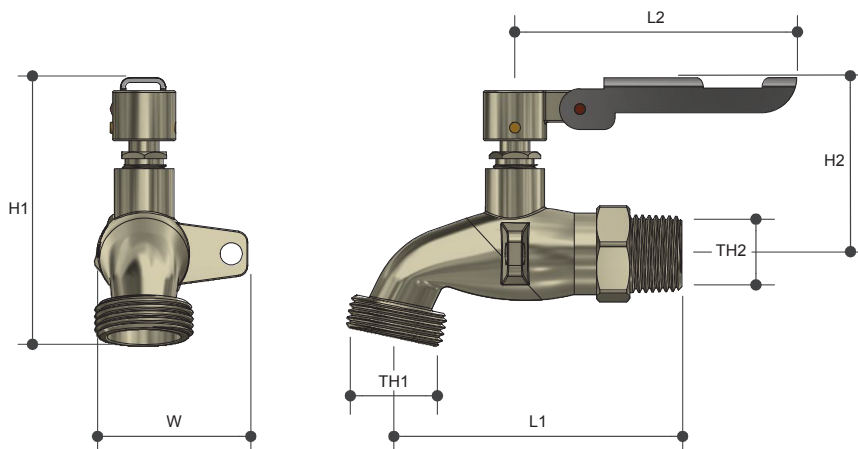


BIB COCK

General Purpose Side Locking

Product Specifications



Specifications

Maximum working temperature 1°C to 120°C

Maximum pressure rating 1600kPa

Sizing Chart (MM)

	L1	L2	H1	H2	W	TH1	TH2
LBC15	78	76	46	72	41	G 3/4"	R 1/2"
LBC20	80	76	75	48	46	G 3/4"	R 3/4"

Features

100% pressure tested

Blow proof spindle

Stainless steel handle and nut

Available in sizes 15 to 20mm

Material Chart

Part	Material
Washer	EPDM
Cap	DR Brass
Ball	DR Brass
Bonnet	DR Brass
Barb	Stainless Steel
O Ring	EPDM
Handle	Stainless Steel
Spindle	DR Brass

For more information on Logi Valve, contact:
 Austworld 15 Activity Crescent, Molendinar, Queensland 4214 Australia
 P. 1300 780 430 F. 1300 780 441 E. info@austworld.com.au

Austworld Pty Ltd. All rights reserved 2018. Austworld and Logi Valve are registered trade mark belonging to Austworld Pty Ltd.

