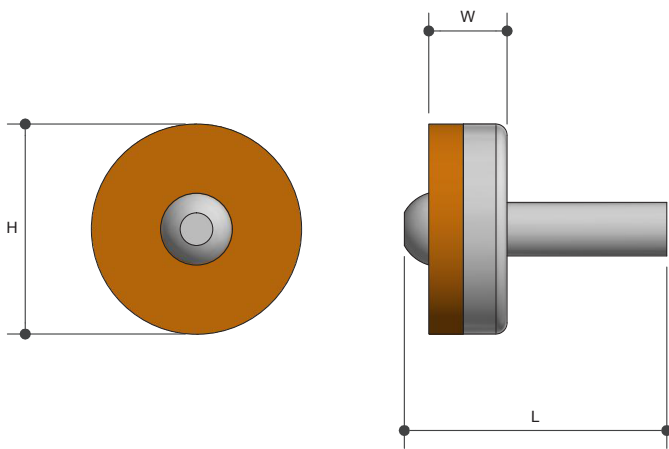


JUMPER VALVES

Premium Nylon

Product Specifications



Specifications

Working temperature 1°C to 75°C

Max. pressure rating 1000kPa

Sizing Chart (MM)

	L	L	H	SIZE
JVDN15	24	19	7	DN15
JVDN20	26	22	7	DN20

Features

Watermark approved

Available in 15 and 20mm

Easy turn operation

Suitable for hot and cold water

Tested and certified to AS/NZS 3718

Material Chart

Part	Material
Stem	PA
Seal	Coatlon

For more information on Metforge, contact:

Austworld 15 Activity Crescent, Molendinar, Queensland 4214 Australia

P. 1300 780 430

F. 1300 780 441

E. info@austworld.com.au

Austworld Pty Ltd. All rights reserved 2018. Austworld and Metforge are registered trade mark belonging to Austworld Pty Ltd.

