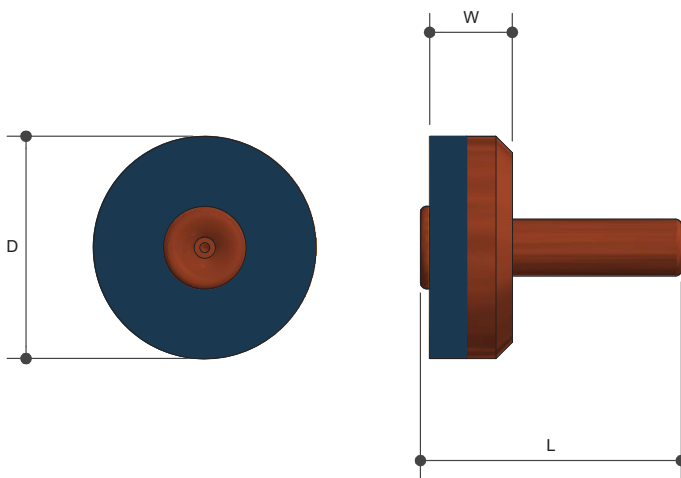


JUMPER VALVES

Premium Copper Suit 15mm

Product Specifications

Metforge®
brassware



WaterMark
AS 3718
Lic 2502

Specifications

Working temperature 1 °C to 75 °C

Max. pressure rating 1000kPa

Features

Watermark approved

Easy turn operation

Suitable for hot and cold water

Tested and certified to AS/NZS 3718

Sizing Chart (MM)

	L	D	W	SIZE
JVD15	23	19	7	DN15

Material Chart

Part	Material
Stem	Copper
Seal	Coatlon

For more information on Metforge, contact:

Austworld 15 Activity Crescent, Molendinar, Queensland 4214 Australia

P. 1300 780 430

F. 1300 780 441

E. info@austworld.com.au

Austworld Pty Ltd. All rights reserved 2018. Austworld and Metforge are registered trade mark belonging to Austworld Pty Ltd.

AW
AUSTWORLD