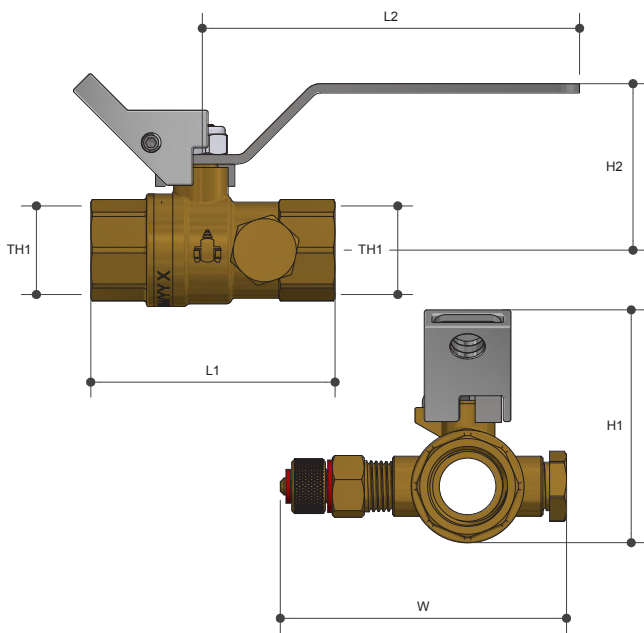


# HVAC WATERMARKED BALL VALVES

Lever Handle FI X FI with Test Point Lockable

## Product Specifications



## Specifications

Working temperature -20°C to 120°C

Maximum pressure rating 2500kPa

## Sizing Chart (MM)

	L1	L2	H1	H2	W	TH1	TH2
HW15F	65	100	62	44	76	Rp 1/2"	Rp 1/2"
HW20F	87	100	77	51	90	Rp 3/4"	Rp 3/4"
HW25F	72	100	69	48	86	Rp 1"	Rp 1"
HW32F	98	140	100	71	99	Rp1 1/4"	Rp1 1/4"
HW40F	108	140	111	77	107	Rp1 1/2"	Rp1 1/2"
HW50F	127	140	127	85	120	Rp 2"	Rp 2"

## Features

Watermark approved

Full bore

100% pressure tested

Lockable ON and OFF

Available in sizes 15mm (1/2") to 50mm (2")

Blow proof spindle

Tested and certified to WMTS012

## Material Chart

Part	Material
Body	DR Brass
Seal	PTFE
Ball	DR Brass
Bonnet	DR Brass
Spindle	DR Brass
O Ring	FKM
Handle	Stainless Steel
Lock Nut	Stainless Steel
Test Plug	DR Brass
Clip	Aluminium

For more information on Logi Valve, contact:  
Austworld 15 Activity Crescent, Molendinar, Queensland 4214 Australia

P. 1300 780 430 F. 1300 780 441 E. info@austworld.com.au

Austworld Pty Ltd. All rights reserved 2018. Austworld and Logi Valve are registered trade mark belonging to Austworld Pty Ltd.

