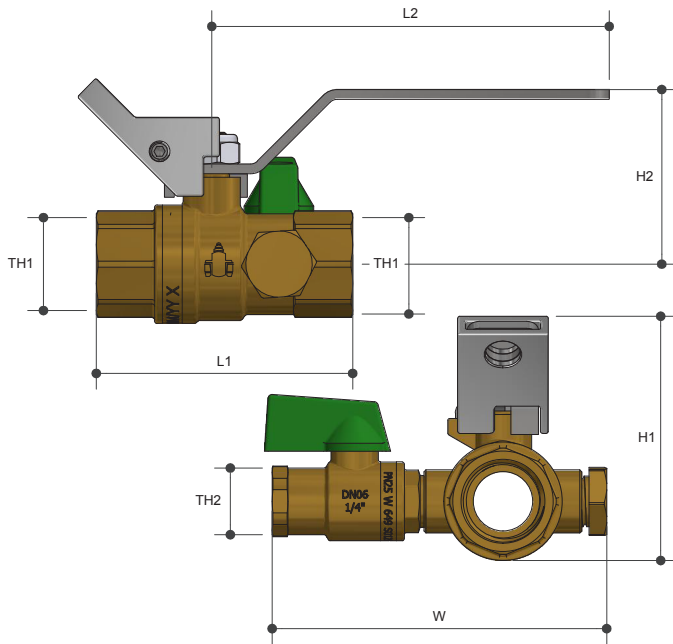


HVAC WATERMARKED BALL VALVES

Lever Handle FI X FI with Mini Ball Valve Lockable

Product Specifications



Specifications

Working temperature -20°C to 120°C

Maximum pressure rating 2500kPa

Sizing Chart (MM)

	L1	L2	H1	H2	W	TH1	TH2
HW15FD	65	101	62	44	85	Rp 1/2"	Rp 1/4"
HW20FD	72	101	69	66	94	Rp 3/4"	Rp 1/4"
HW25FD	87	101	77	51	98	Rp 1"	Rp 1/4"
HW32FD	98	140	96	71	107	Rp 1 1/4"	Rp 1/4"
HW40FD	108	140	111	77	115	Rp 1 1/2"	Rp 1/4"
HW50FD	127	140	127	85	128	Rp 2"	Rp 1/4"

Features

Watermark approved

Full bore

100% pressure tested

Lockable ON and OFF

Available in sizes 15mm (1/2") to 50mm (2")

Blow proof spindle

Tested and certified to WMTS012

Material Chart

Part	Material
Body	DR Brass
Seal	PTFE
Ball	DR Brass
Bonnet	DR Brass
Spindle	DR Brass
O Ring	FKM
Handle	Aluminium
Gland Nut	Stainless Steel
Mini Ball Valve	DR Brass
Clip	Aluminium

For more information on Logi Valve, contact:

Austworld 15 Activity Crescent, Molendinar, Queensland 4214 Australia

P. 1300 780 430

F. 1300 780 441

E. info@austworld.com.au

Austworld Pty Ltd. All rights reserved 2018. Austworld and Logi Valve are registered trade mark belonging to Austworld Pty Ltd.

