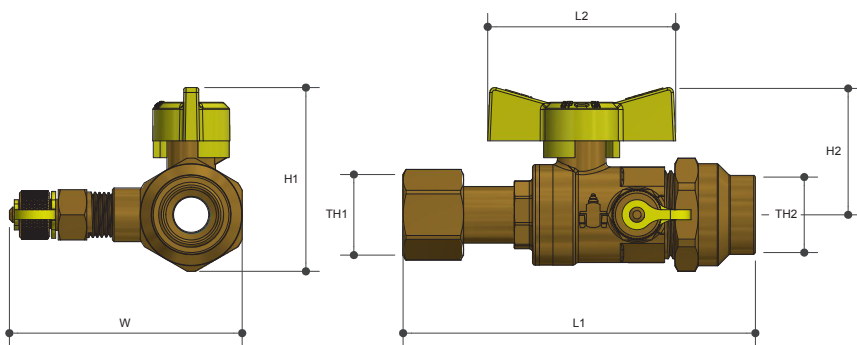


SWIVEL NUT GAS BALL VALVE

With Test Point F x FL

Product Specifications



Specifications

Working temperature -20°C to 120°C

Maximum pressure rating 2100kPa

Sizing Chart (MM)

	L1	L2	H1	H2	W	TH1	TH2
HD2015	105	56	55	38	69	G 1/2"	DN20

Features

AGA approved

Full bore

100% pressure tested

Blow proof spindle

Material Chart

Part	Material
Body	DR Brass
Seal	PTFE
Ball	DR Brass
Bonnet	DR Brass
Spindle	DR Brass
O Ring	FKM
Test Point	DR Brass

For more information on Logi Valve, contact:
Austworld 15 Activity Crescent, Molendinar, Queensland 4214 Australia
P. 1300 780 430 F. 1300 780 441 E. info@austworld.com.au

Austworld Pty Ltd. All rights reserved 2018. Austworld and Logi Valve are registered trade mark belonging to Austworld Pty Ltd.

