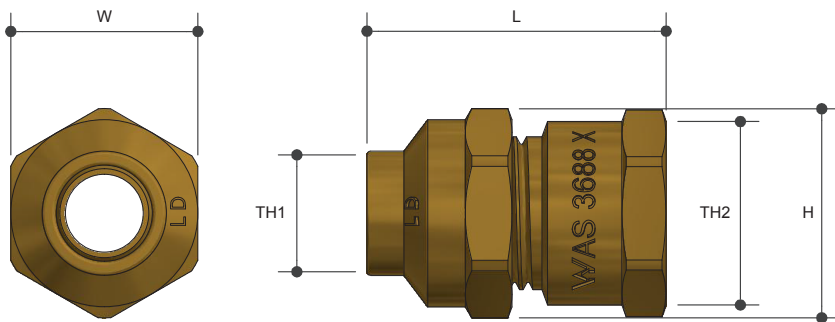


FLARED COMPRESSION

Union Fl X C Lead Free

Product Specifications



Specifications

Maximum Working Temperature 1°C to 95°C

Maximum Pressure Rating 1600kPa

Features

Watermark Lead Free Approved

Brass and Chrome Finish

Tested and Certified to AS 3688

Sizing Chart (MM)

	L	H	W	TH1	TH2
AW162LF	41	28	25	15C	Rp 1/2"
AW163LF*	41	28	25	15C	Rp 1/2"
AW170LF	46	36	32	20C	Rp 3/4"
AW170NBLF	46	36	32	20C	Rp 3/4"
AW176LF	53	43	38	25C	Rp 1"
AW182LF	58	51	47	32C	Rp 1 1/4"
AW182NBLF	58	51	47	32C	Rp 1 1/4"
AW182-1LF	62	58	55	40C	Rp 1 3/4"
AW182-2LF	71	72	67	50C	Rp 2"

* Chrome Plated

Material Chart

Part	Material
Union	DR Lead Free Brass
Nut	Brass

For more information on Metforge, contact:
 Austworld 15 Activity Crescent, Molendinar, Queensland 4214 Australia
 P. 1300 780 430 F. 1300 780 441 E. info@austworld.com.au

Austworld Pty Ltd. All rights reserved 2018. Austworld and Metforge are registered trade mark belonging to Austworld Pty Ltd.

