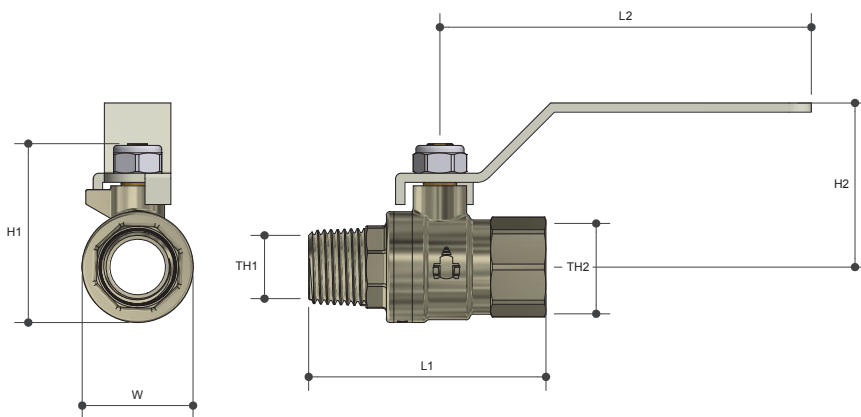


GAS APPROVED BALL VALVE

Lever Handle MI X FI

Product Specifications



Specifications

Working temperature -20°C to 120°C

Maximum pressure rating 2100kPa

Sizing Chart (MM)

	L1	L2	H1	H2	W	TH1	TH2
GBV06M	54	90	47	35	18	R 1/4"	Rp 1/4"
GBV15M	64	101	83	44	30	R 1/2"	Rp 1/2"
GBV20M	73	101	89	48	37	R 3/4"	Rp 3/4"
GBV25M	87	101	96	52	46	R 1"	Rp 1"
GBV32M	100	140	80	71	58	R 1 1/4"	Rp 1 1/4"
GBV40M	113	140	92	77	69	R 1 1/2"	Rp 1 1/2"
GBV50M	130	140	108	85	84	R 2"	Rp 2"

Features

AGA approved

Full bore

100% pressure tested

Available in sizes 6mm (1/4") to 50mm (2")

Blow proof spindle

Stainless Steel handle

Tested and certified to AS 4617

Material Chart

Part	Material
Body	DR Brass
Seal	PTFE
Ball	DR Brass
Bonnet	DR Brass
Spindle	DR Brass
O Ring	HNBR
Handle	Stainless Steel
Lock Nut	Stainless Steel

For more information on Logi Valve, contact:
Austworld 15 Activity Crescent, Molendinar, Queensland 4214 Australia

P. 1300 780 430 F. 1300 780 441 E. info@austworld.com.au

Austworld Pty Ltd. All rights reserved 2018. Austworld and Logi Valve are registered trade mark belonging to Austworld Pty Ltd.

