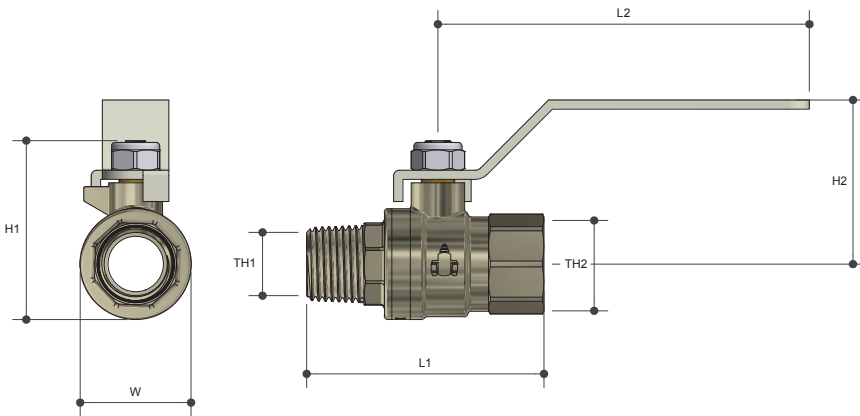


# GAS APPROVED BALL VALVE

Lever Handle MI X FI

## Product Specifications



## Specifications

Working temperature 1°C to 120°C

Maximum pressure rating 2100kPa

## Sizing Chart (MM)

	L1	L2	H1	H2	W	TH1	TH2
GBV06M	54	90	47	35	18	R 1/4"	Rp 1/4"
GBV15M	64	101	83	44	30	R 1/2"	Rp 1/2"
GBV20M	73	101	89	48	37	R 3/4"	Rp 3/4"
GBV25M	87	101	96	52	46	R 1"	Rp 1"
GBV32M	100	140	80	71	58	R 1 1/4"	Rp 1 1/4"
GBV40M	113	140	92	77	69	R 1 1/2"	Rp 1 1/2"
GBV50M	130	140	108	85	84	R 2"	Rp 2"

## Features

AGA approved

Full bore

100% pressure tested

Available in sizes 6mm (1/4") to 50mm (2")

Blow proof spindle

Stainless Steel handle

Tested and certified to AS 4617

## Material Chart

Part	Material
Body	DR Brass
Seal	PTFE
Ball (15-40MM)	DR Brass
Ball (50MM)	Stainless Steel
Spindle (15-40MM)	DR Brass
Spindle (50MM)	Stainless Steel
Bonnet	DR Brass
O Ring	HNBR
Handle	Stainless Steel
Lock Nut	Stainless Steel

For more information on Logi Valve, contact:

Austworld 15 Activity Crescent, Molendinar, Queensland 4214 Australia

P. 1300 780 430

F. 1300 780 441

E. [info@austworld.com.au](mailto:info@austworld.com.au)

Austworld Pty Ltd. All rights reserved 2018. Austworld and Logi Valve are registered trade mark belonging to Austworld Pty Ltd.

Revision no. 1.0 | 24/05/2021



AUSTWORLD