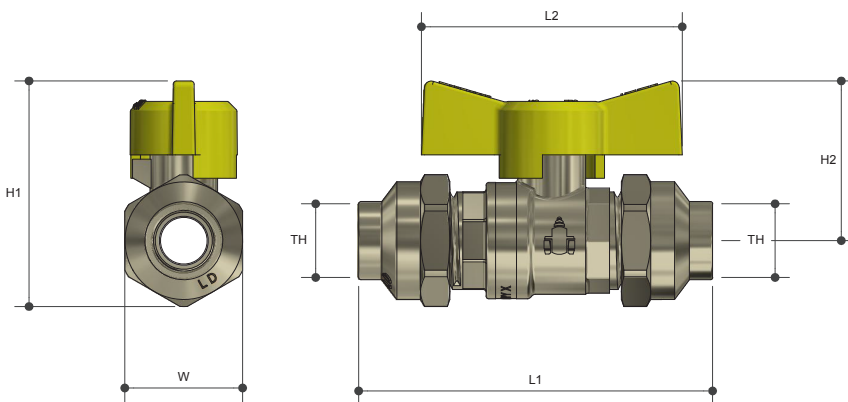


GAS APPROVED BALL VALVE

Butterfly Handle FL X FL

Product Specifications



Specifications

Working temperature 1 °C to 120 °C

Maximum pressure rating 2100kPa

Sizing Chart (MM)

	L1	L2	H1	H2	W	TH
G15	56	34	34	34	79	DN15
G20	56	38	38	38	91	DN20

Features

AGA approved

100% pressure tested

Available in sizes 15mm (1/2") to 20mm (3/4")

Blow proof spindle

Aluminium handle

Tested and certified to AS 4617

Material Chart

Part	Material
Body	DR Brass
Seal	PTFE
Ball	DR Brass
Bonnet	DR Brass
Spindle	DR Brass
O Ring	HNBR
Handle	Aluminium
Nut	DR Brass
Lock Nut	Stainless Steel

For more information on Logi Valve, contact:
 Austworld 15 Activity Crescent, Molendinar, Queensland 4214 Australia
 P. 1300 780 430 F. 1300 780 441 E. info@austworld.com.au

Austworld Pty Ltd. All rights reserved 2018. Austworld and Logi Valve are registered trade mark belonging to Austworld Pty Ltd.

