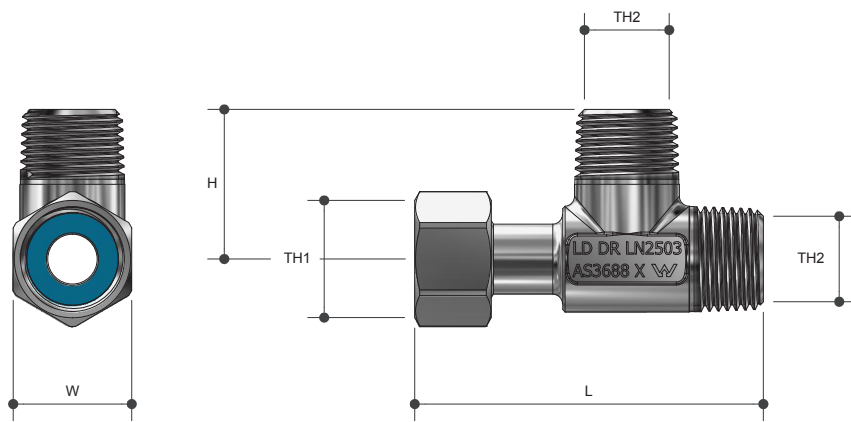


WATER FILTER FITTINGS

Filter Water Tee

Product Specifications



Specifications

Maximum working temperature 1 °C to 60 °C

Maximum pressure rating 1600kPa

Sizing Chart (MM)

| | L | H | W | TH1 | TH2 |
|---------|----|----|----|--------|--------|
| FWT01CP | 71 | 30 | 24 | G 1/2" | R 1/2" |

Features



Watermark approved

Chrome finish

Tested and certified to AS 3688

Material Chart

| Part | Material |
|--------|----------|
| Body | DR Brass |
| Nipple | DR Brass |
| Nut | Brass |

For more information on Metforge, contact:

Austworld 15 Activity Crescent, Molendinar, Queensland 4214 Australia

P. 1300 780 430

F. 1300 780 441

E. info@austworld.com.au

Austworld Pty Ltd. All rights reserved 2018. Austworld and Metforge are registered trade mark belonging to Austworld Pty Ltd.

