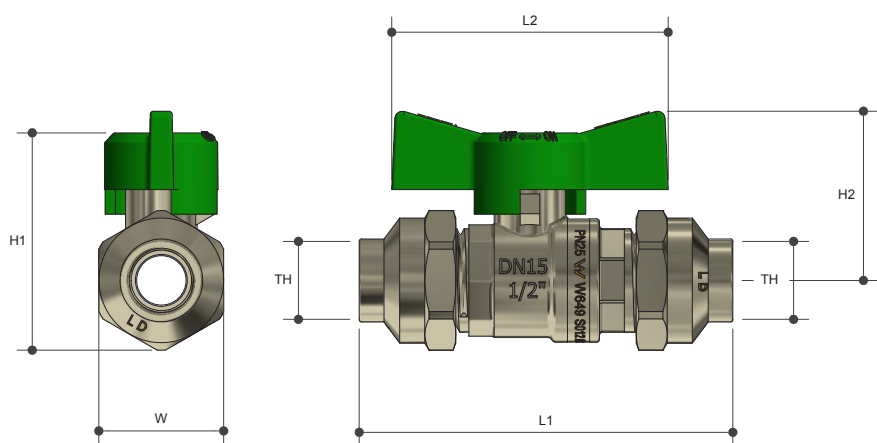


# WATERMARKED BALL VALVE

Butterfly Handle FL X FL

Product Specifications



## Specifications

Working temperature -20°C to 120°C

Maximum pressure rating Water 2500kPa Gas 2100kPa

## Sizing Chart (MM)

	L1	L2	H1	H2	W	TH
G15W	78	56	44	34	25	DN15
G20W	91	56	49	38	30	DN20

## Features

Watermark and AGA approved

100% pressure tested

Available in sizes 15mm (1/2") to 20mm (3/4")

Blow proof spindle

Aluminium handle

Tested and certified to WMTS012

## Material Chart

Part	Material
Body	DR Brass
Seal	PTFE
Ball	DR Brass
Bonnet	DR Brass
Spindle	DR Brass
O Ring	FKM
Handle	Aluminium
Nut	DR Brass
Lock Nut	Stainless Steel

For more information on Logi Valve, contact:  
Austworld 15 Activity Crescent, Molendinar, Queensland 4214 Australia

P. 1300 780 430 F. 1300 780 441 E. info@austworld.com.au

Austworld Pty Ltd. All rights reserved 2018. Austworld and Logi Valve are registered trade mark belonging to Austworld Pty Ltd.

