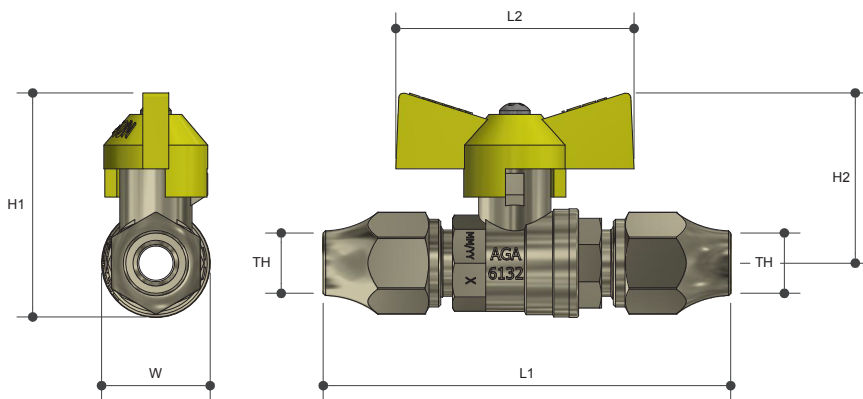


GAS APPROVED BALL VALVE

Butterfly Handle FL X FL

Product Specifications



Specifications

Working temperature 1 °C to 120 °C

Maximum pressure rating 2100kPa

Sizing Chart (MM)

	L1	L2	H1	H2	W	TH
G10 [SAE]	86	51	47	36	23	10C

Features

AGA approved

100% pressure tested

Aluminium handle

Tested and certified to AS 4617

Material Chart

Part	Material
Body	DR Brass
Seal	PTFE
Ball	DR Brass
Bonnet	DR Brass
Spindle	DR Brass
Gland	PTFE
Handle	Aluminium
Nut	DR Brass
Lock Nut	Stainless Steel
O-Ring	HNBR

For more information on Logi Valve, contact:
 Austworld 15 Activity Crescent, Molendinar, Queensland 4214 Australia
 P. 1300 780 430 F. 1300 780 441 E. info@austworld.com.au

Austworld Pty Ltd. All rights reserved 2018. Austworld and Logi Valve are registered trade mark belonging to Austworld Pty Ltd.

