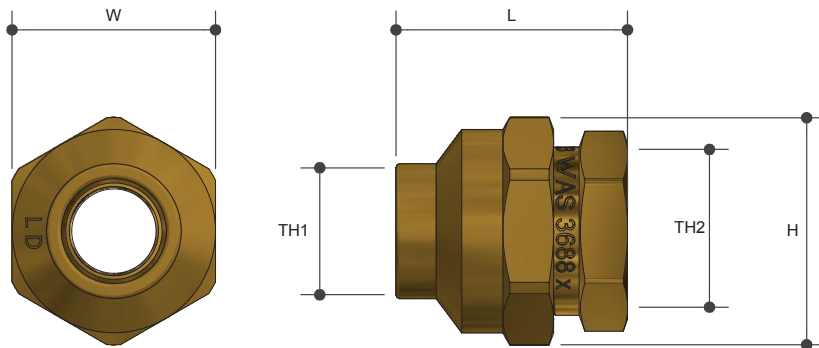


FLARED COMPRESSION

Union FI X C Reducing Lead Free

Product Specifications



Specifications

Maximum Working Temperature 1°C to 95°C

Maximum Pressure Rating 1600kPa

Features

Watermark Lead Free Approved

Tested and Certified to AS 3688

Sizing Chart (MM)

	L	H	W	TH1	TH2
AW156LF	29	28	25	15C	Rp 3/8"
AW160LF	40	29	26	10C	Rp 1/2"
AW164LF	40	35	32	20C	Rp 1/2"
AW168LF	44	35	31	15C	Rp 3/4"
AW168NBLF	44	35	31	15C	Rp 3/4"
AW169LF	54	44	39	20C	Rp 1"
AW172LF	37	43	38	25C	Rp 3/4"

Material Chart

Part	Material
Union	DR Lead Free Brass
Compression Nut	Brass

For more information on Metforge, contact:

Austworld 15 Activity Crescent, Molendinar, Queensland 4214 Australia

P. 1300 780 430

F. 1300 780 441

E. info@austworld.com.au

Austworld Pty Ltd. All rights reserved 2018. Austworld and Metforge are registered trade mark belonging to Austworld Pty Ltd.

