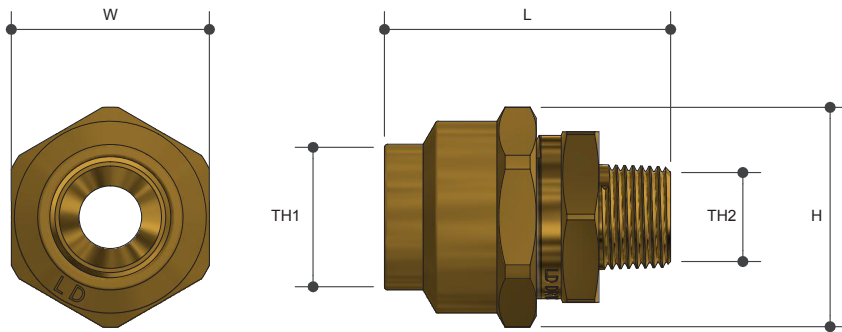


FLARED COMPRESSION

Union MI X C Reducing Lead Free

Product Specifications



Specifications

Maximum Working Temperature 1°C to 95°C

Maximum Pressure Rating 1600kPa

Features

Watermark Lead Free Approved

Tested and Certified to AS 3688

Sizing Chart (MM)

	L	H	W	TH1	TH2
AW89LF	44	28	25	15C	R 1/4"
AW95LF	39	28	25	15C	R 3/8"
AW95NBLF	39	28	25	15C	R 3/8"
AW106LF	46	35	32	20C	R 3/8"
AW100LF	41	25	22	10C	R 1/2"
AW104LF	47	35	32	20C	R 1/2"
AW109LF	46	31	27	15C	R 3/4"
AW109NBLF	46	31	27	15C	R 3/4"
AW113LF	55	43	38	25C	R 3/4"
AW117LF	54	40	35	20C	R 1"

Material Chart

Part	Material
Nipple	DR Lead Free Brass
Compression Nut	Brass

For more information on Metforge, contact:
Austworld 15 Activity Crescent, Molendinar, Queensland 4214 Australia
P. 1300 780 430 F. 1300 780 441 E. info@austworld.com.au

Austworld Pty Ltd. All rights reserved 2018. Austworld and Metforge are registered trade mark belonging to Austworld Pty Ltd.

