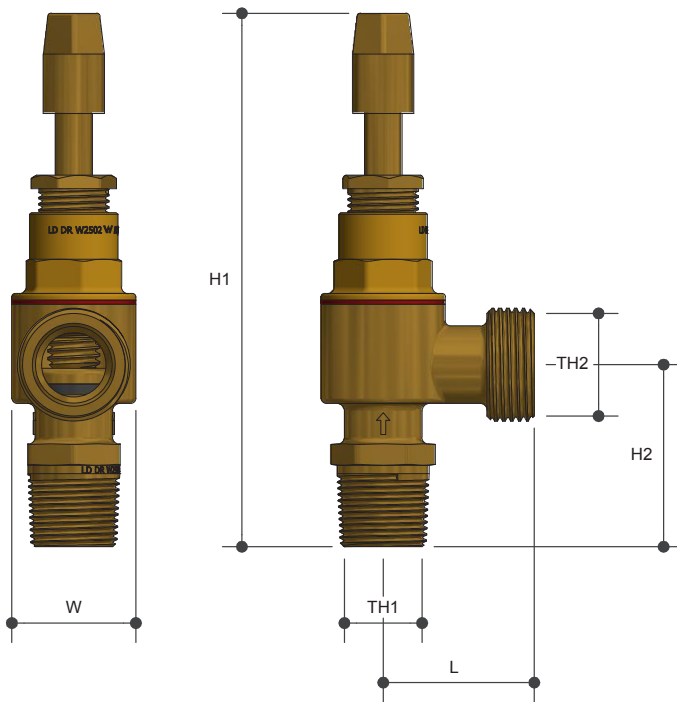


# FERRULE

Standard

Product Specifications



## Features

- Watermark approved
- DR Brass
- 100% pressure tested
- WSAA Appraised
- Tested and certified to AS 3718

## Specifications

Working temperature -20°C to 120°C

Max. pressure rating 2500kPa

## Sizing Chart (MM)

	L	H1	H2	W	TH1	TH2
FE20M	45	157	54	37	R 3/4"	G 1"

## Material Chart

Part	Material
Body	DR Brass
Bonnet	DR Brass
Spindle	DR Brass
Stem	DR Brass
Washer	Fibre
Washer NBR	NBR
Gland Pack	PE
Gland Nut	Brass
Handle	Brass

For more information on Logi Civil, contact:  
 Austworld 15 Activity Crescent, Molendinar, Queensland 4214 Australia  
 P. 1300 780 430 F. 1300 780 441 E. info@austworld.com.au

Austworld Pty Ltd. All rights reserved 2018.  
 Austworld and Logi Civil are registered trade mark belonging to Austworld Pty Ltd.

