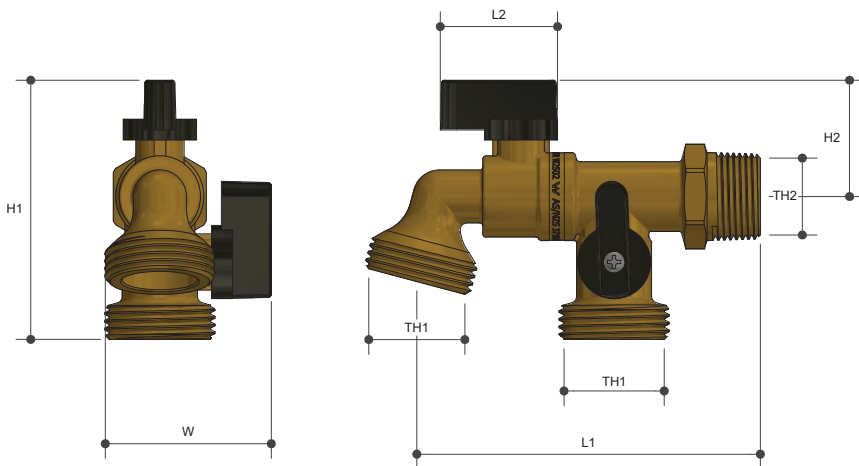


HOSE TAPS

Dual Outlet Quarter Turn MI Lead Free

Product Specifications

Metforge®
brassware



Specifications

Working Temperature 1°C to 75°C

Max. Pressure Rating 1000kPa

Features

Watermark Lead Free Approved

100% Pressure Tested

Blow Proof Spindle

Integral Check Valve

Tested and Certified to AS/NZS 3718

Sizing Chart (MM)

	L1	L2	H1	H2	W	TH1	TH2
TH107LF	110	35	78	34	50	G 1"	R 3/4"

Material Chart

Part	Material
Body	DR Lead Free Brass
Ball	Stainless Steel
O Ring	EPDM
Seal	PTFE
Spindle	DR Lead Free Brass
Handle	Aluminium
Aerator	PE
Check Valve	ABS

For more information on Metforge, contact:

Austworld 15 Activity Crescent, Molendinar, Queensland 4214 Australia

P. 1300 780 430

F. 1300 780 441

E. info@austworld.com.au

Austworld Pty Ltd. All rights reserved 2018. Austworld and Metforge are registered trade mark belonging to Austworld Pty Ltd.

AUSTWORLD