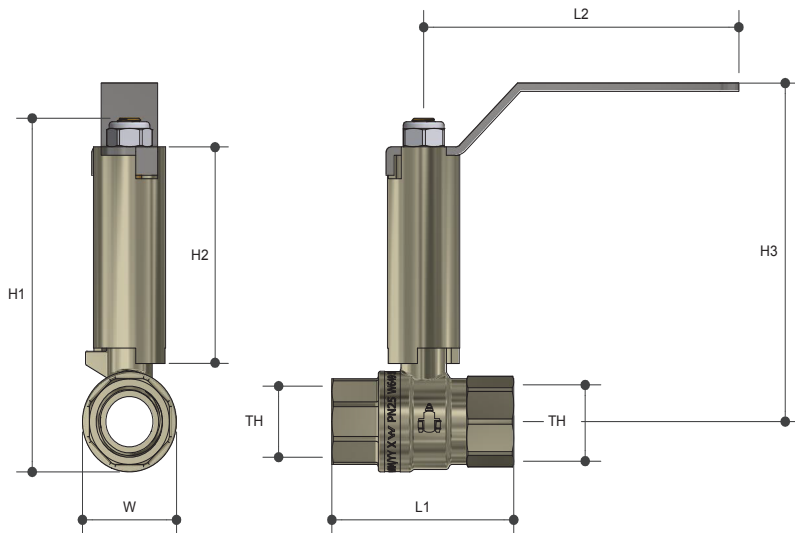


# GAS APPROVED BALL VALVE

Lever Handle FI X FI Extended Spindle

## Product Specifications



## Specifications

Working temperature 1°C to 120°C

Maximum pressure rating 2100kPa

## Sizing Chart (MM)

	L1	L2	H1	H2	H2	W	TH
EXTG15F	58	101	105	64.6	101	30	Rp 1/2"
EXTG20F	66	101	112	64.6	104	37	Rp 3/4"
EXTG25F	81	101	121	64.6	108	46	Rp 1"
EXTG32F	91	140	136	66.2	127	58	Rp 1 1/4"
EXTG40F	102	140	147	66.2	132	69	Rp 1 1/2"
EXTG50F	121	140	163	66.2	141	84	Rp 2"
EXTG65F	150	232	226	97.5	193	108	Rp 2 1/2"
EXTG80F	177	232	248	97.5	204	130	Rp 3"
EXTG100F	212	232	277	97.5	218	160	Rp 4"

## Features

AGA approved

Full bore

100% pressure tested

Available in sizes 15mm (1/2") to 100mm (4")

Blow proof spindle

Extended Spindle

Stainless Steel handle

Tested and certified to AS 4617

## Material Chart

Part	Material
Body	DR Brass
Seal Seat	PTFE
Ball (15-40MM)	DR Brass
Ball (50-100MM)	Stainless Steel
Spindle (15-40MM)	DR Brass
Spindle (50-100MM)	Stainless Steel
Bonnet	DR Brass
O Rings	HNBR
Extended Surrounder	Brass
Extended Spindle	Brass
Handle	Stainless Steel
Lock Nut	Stainless Steel

For more information on Logi Valve, contact:

Austworld 15 Activity Crescent, Molendinar, Queensland 4214 Australia

P. 1300 780 430

F. 1300 780 441

E. info@austworld.com.au

Austworld Pty Ltd. All rights reserved 2018. Austworld and Logi Valve are registered trade mark belonging to Austworld Pty Ltd.

Revision no. 1.0 | 24/05/2021

