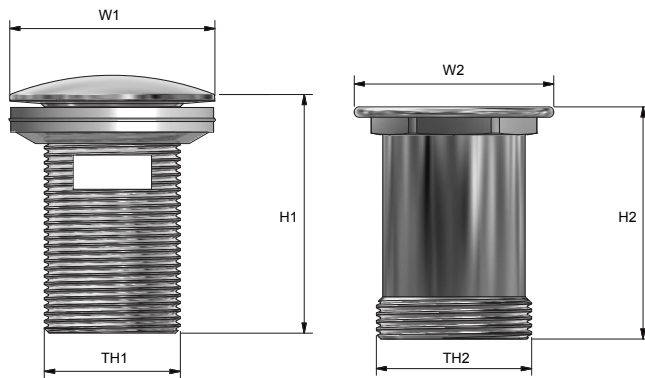


Plug & Waste Dome Pop Up Universal

Product Specifications

MT MONOPOLY™
T A P W A R E



Specifications

40MM Outlet thread

Suits 32mm and 40mm basins

Sizing Chart [MM]

	H1	H2	W1	W2	TH1	TH2
DPWM3240	73	71	64	61	1 1/4"	1 1/2"
DPWM3240MB	73	71	64	61	1 1/4"	1 1/2"

Features



Watermark approved

Chrome plated finish Brass

Pop up function

Universal, for use on overflow and non overflow basins

Tested and certified to WMTS 040

Available in chrome and matte black finish

For more information on Monopoly Tapware, contact:
Austworld 15 Activity Crescent, Molendinar, Queensland 4214 Australia

P. 1300 780 430 F. 1300 780 441 E. info@austworld.com.au

Austworld Pty Ltd. All rights reserved 2018. Austworld and Monopoly Tapware are registered trade mark belonging to Austworld Pty Ltd.

AW
AUSTWORLD