

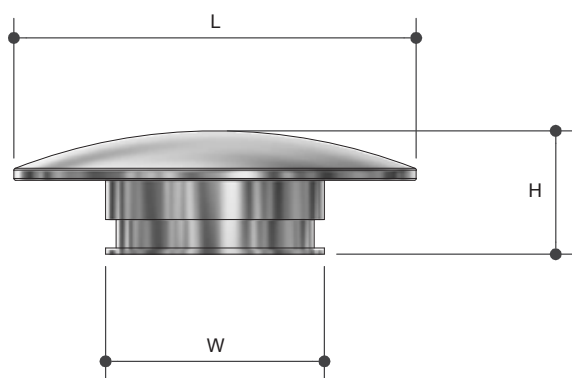
Plug and Waste Accessories

DOME COVER

DP32 | DP40

Product Specifications

MT MONOPOLY™
T A P W A R E



Specifications

Suits 32mm and 40mm

Features

Chrome plated finish Brass

Sizing Chart (MM)

	L	H	W	SIZE
DP32	64	20	35	32MM
DP40	67	20	41	40MM

For more information on Monopoly Tapware, contact:
Austworld 15 Activity Crescent, Molendinar, Queensland 4214 Australia
P. 1300 780 430 F. 1300 780 441 E. info@austworld.com.au

Austworld Pty Ltd. All rights reserved 2018. Austworld and Monopoly Tapware are registered trade mark belonging to Austworld Pty Ltd.

AW
AUSTWORLD