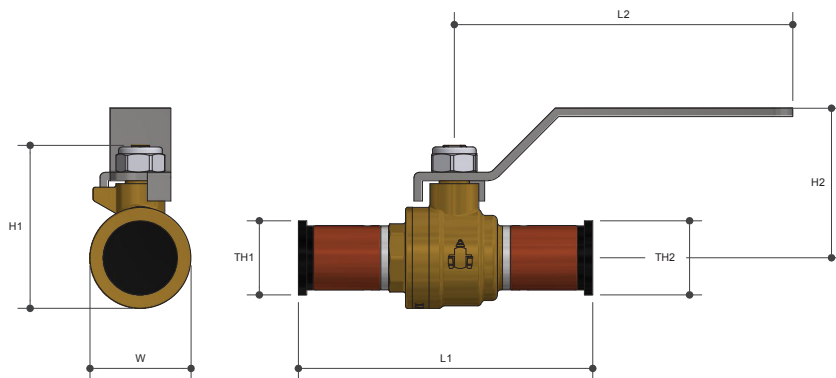


WATERMARKED BALL VALVE

Crimp Pex X Pex SDR 7.4 Lever Handle

Product Specifications



Specifications

Working temperature -20°C to 120°C

Maximum pressure rating 2500kPa

Sizing Chart (MM)

	L1	L2	H1	H2	W	TH
CW15F	87	101	48	44	30	Crimp Pex 1/2" Pipe
CW20F	96	101	55	48	37	Crimp Pex 3/4" Pipe
CW25F	110	101	64	52	46	Crimp Pex 1" Pipe

Features

Watermark approved

Full bore

100% pressure tested

Blow proof spindle

Available in sizes 15mm (1/2") to 25mm (1")

Stainless Steel handle

Tested and certified to WMTS012

Material Chart

Part	Material
Body	DR Brass
Seal	PTFE
Ball	DR Brass
Bonnet	DR Brass
Spindle	DR Brass
O Ring	FKM
Handle	Stainless Steel
Nut	Stainless Steel

For more information on Logi Valve, contact:
Austworld 15 Activity Crescent, Molendinar, Queensland 4214 Australia
P. 1300 780 430 F. 1300 780 441 E. info@austworld.com.au

Austworld Pty Ltd. All rights reserved 2018. Austworld and Logi Valve are registered trade mark belonging to Austworld Pty Ltd.

