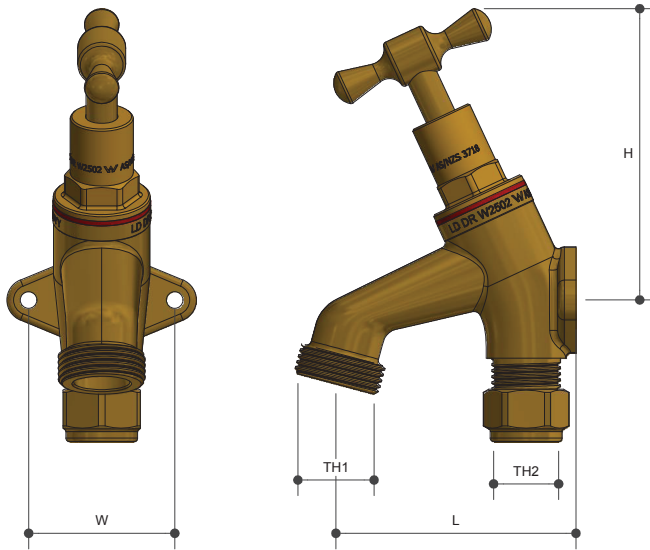


HOSE TAPS

Back Plated Nylon Compression Lead Free

Product Specifications



Specifications

Working Temperature 1°C to 75°C

Max. Pressure Rating 1000kPa

Sizing Chart (MM)

	L	H	W	TH1	TH2
TH58-1LF	72	88	45	G 3/4"	15C
TH59-1LF	72	88	45	G 1"	20C

Features

Watermark Lead Free Approved

100% Pressure Tested

Blow Proof Spindle

Tested and Certified to AS/NZS 3718

Material Chart

Part	Material
Body	DR Lead Free Brass
Bonnet	DR Lead Free Brass
O Ring	NBR
Washer	Fibre
Spindle	DR Lead Free Brass
Handle	Brass
Nut	Brass
Jumper	PA
Olive	PA
Seal	EPDM

For more information on Metforge, contact:

Austworld 15 Activity Crescent, Molendinar, Queensland 4214 Australia

P. 1300 780 430

F. 1300 780 441

E. info@austworld.com.au

Austworld Pty Ltd. All rights reserved 2018. Austworld and Metforge are registered trade mark belonging to Austworld Pty Ltd.

