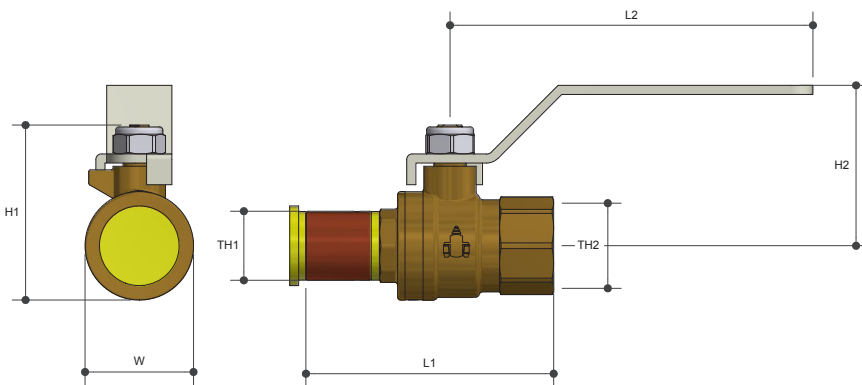


# GAS APPROVED BALL VALVE

Crimp Pex X FI SDR 7.4 Lever Handle

## Product Specifications



## Specifications

Working temperature -20°C to 120°C

Maximum pressure rating 2100kPa

## Sizing Chart (MM)

	L1	L2	H1	H2	W	TH1	TH2
CGBV15	75	101	48	44	30	Crimp Pex 1/2" Pipe	Rp 1/2"
CGBV20	84	101	55	48	37	Crimp Pex 3/4" Pipe	Rp 3/4"
CGBV25	97	101	64	52	46	Crimp Pex 1" Pipe	Rp 1"

## Features

AGA approved

Full bore

100% pressure tested

Blow proof spindle

Available in sizes 15mm (1/2") to 25mm (1")

Stainless Steel handle

Tested and certified to AS 4617

## Material Chart

Part	Material
Body	Brass
Seal	PTFE
Ball	Brass
Bonnet	Brass
Spindle	Brass
O Ring	HNBR
Handle	Stainless Steel
Nut	Stainless Steel
Keeper Ring	LDPE
Copper Ring	Copper
Cap	LDPE

For more information on Logi Valve, contact:  
Austworld 15 Activity Crescent, Molendinar, Queensland 4214 Australia

P. 1300 780 430 F. 1300 780 441 E. info@austworld.com.au

Austworld Pty Ltd. All rights reserved 2018. Austworld and Logi Valve are registered trade mark belonging to Austworld Pty Ltd.

