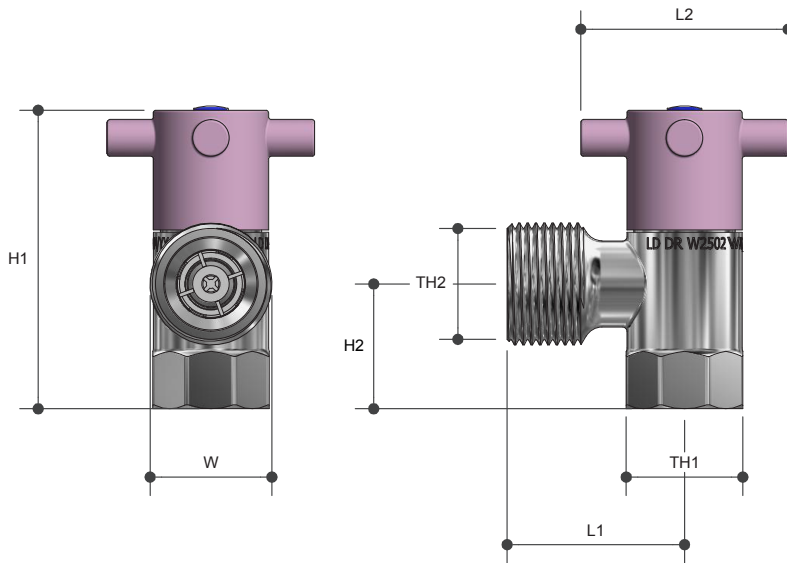


# RECYCLED WATER PRODUCTS

1/2" FI Inlet X 3/4" MI Outlet

## Product Specifications

Metforge®  
brassware



### Specifications

Working temperature 1 °C to 80 °C

Max. pressure rating 1600kPa

### Sizing Chart (MM)

|        | L1 | L2 | H1 | H2 | W  | TH1    | TH2    |
|--------|----|----|----|----|----|--------|--------|
| BVWMRW | 39 | 45 | 65 | 27 | 26 | G 1/2" | G 3/4" |

### Material Chart

| Part         | Material  |
|--------------|-----------|
| Body         | DZR Brass |
| Jumper Valve | Nylon     |
| Washer       | Fibre     |
| Bonnet       | DR Brass  |
| O Ring       | EPDM      |
| Spindle      | DR Brass  |

### Features



Watermark approved

Chrome plated finish

Integrated non return valve designed to assist in the elimination of water hammer

Ceramic disc

Australian patent number 2003213322

Tested and certified to AS/NZS 3718

For more information on Metforge, contact:

Austworld 15 Activity Crescent, Molendinar, Queensland 4214 Australia

P. 1300 780 430

F. 1300 780 441

E. [info@austworld.com.au](mailto:info@austworld.com.au)

Austworld Pty Ltd. All rights reserved 2018. Austworld and Metforge are registered trade mark belonging to Austworld Pty Ltd.

**AW**  
AUSTWORLD