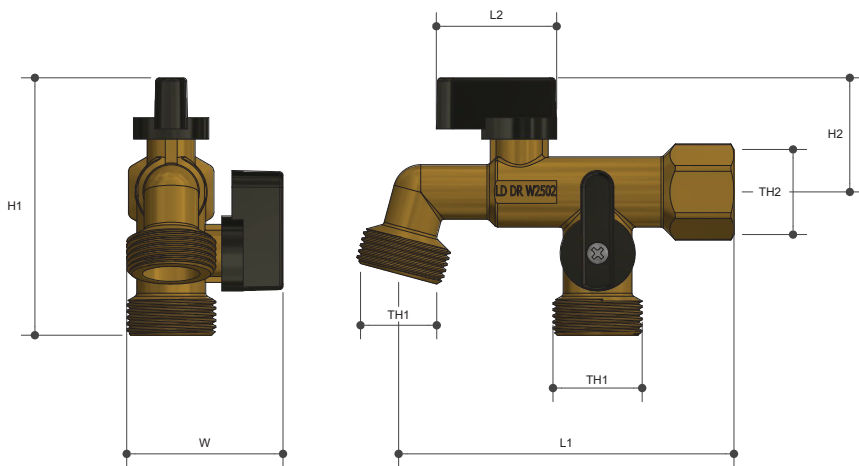


HOSE TAPS

Dual Outlet Quarter Turn Fl Lead Free

Product Specifications

Metforge®
brassware



W
Lead Free
AS 3718
Lic 2502

Specifications

Working Temperature 1°C to 75°C

Max. Pressure Rating 1000kPa

Features

Watermark Lead Free Approved

100% Pressure Tested

Integral Check Valve

Available in Brass and Chrome finish

Tested and Certified to AS/NZS 3718

Sizing Chart (MM)

	L1	L2	H1	H2	W	TH1	TH2
TH78LF	98	35	76	34	46	G 3/4"	G 1/2"
TH78CPLF*	98	35	76	34	46	G 3/4"	G 1/2"

* Chrome plated finish

Material Chart

Part	Material
Body	DR Lead Free Brass
Ball	Stainless Steel
O Ring	EPDM
Washer	Stainless Steel
Spindle	Stainless Steel
Handle	Aluminium
Aerator	PE
Check Valve	ABS
Seal	PTFE

For more information on Metforge, contact:

Austworld 15 Activity Crescent, Molendinar, Queensland 4214 Australia

P. 1300 780 430

F. 1300 780 441

E. info@austworld.com.au

Austworld Pty Ltd. All rights reserved 2018. Austworld and Metforge are registered trade mark belonging to Austworld Pty Ltd.

AW
AUSTWORLD