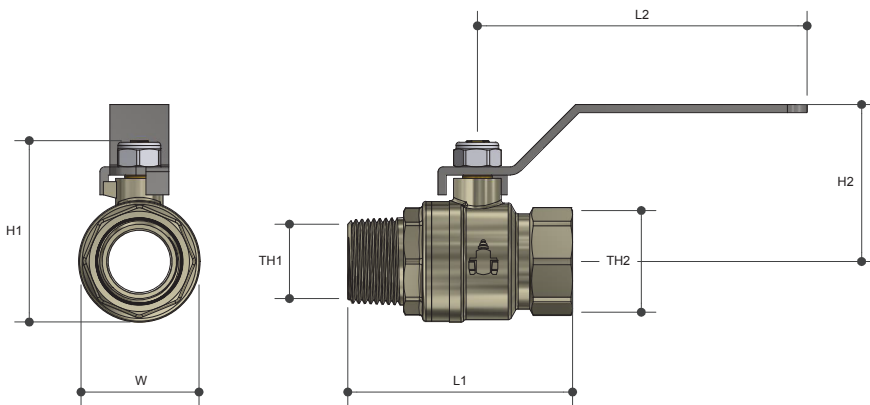


GENERAL PURPOSE BALL VALVE

Lever Handle FI X MI

Product Specifications



Specifications

Working temperature 1°C to 120°C

Maximum pressure rating 1600kPa

Sizing Chart (MM)

	SIZE	L1	L2	H1	H2	W	TH1	TH2
BV15M	15MM	60	89	50	44	25	R 1/2"	Rp 1/2"
BV16M	20MM	67	99	56	48	30	R 3/4"	Rp 3/4"
BV17M	25MM	80	121	67	62	37	R 1"	Rp 1"
BV18M	32MM	94	121	83	66	45	R 1 1/4"	Rp 1 1/4"
BV19M	40MM	104	142	94	83	53	R 1 1/2"	Rp 1 1/2"
BV20M	50MM	118	142	108	90	64	R 2"	Rp 2"

Features

Available in sizes 15mm (1/2") to 100mm (4")

Full Bore

100% pressure tested

Blow proof spindle

Stainless steel handle

Material Chart

Part	Material
Body	Brass
Seal	PTFE
Ball (15-40MM)	Brass
Ball (50MM)	Stainless Steel
Spindle (15-40MM)	Brass
Spindle (50MM)	Stainless Steel
Bonnet	Brass
O Ring	HNBR
Handle	Stainless Steel
Lock Nut	Stainless Steel

For more information on Logi Valve, contact:
Austworld 15 Activity Crescent, Molendinar, Queensland 4214 Australia

P. 1300 780 430 F. 1300 780 441 E. info@austworld.com.au

Austworld Pty Ltd. All rights reserved 2018. Austworld and Logi Valve are registered trade mark belonging to Austworld Pty Ltd.

Revision no. 1.0 | 24/05/2021

