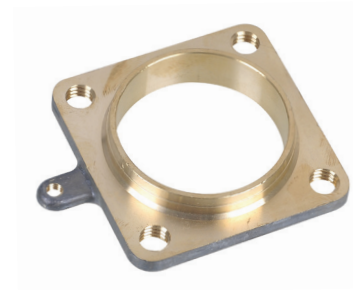
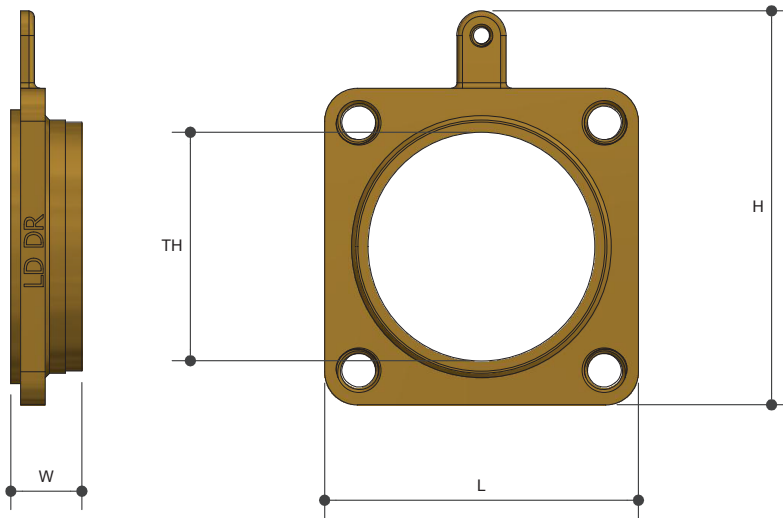


# HOT WATER BOILING COMPONENTS

## Bolt and Tank Element Mount

### Product Specifications



### Specifications

Maximum working temperature 1 °C to 60 °C

Maximum pressure rating 1600kPa

### Sizing Chart (MM)

	L	H	W	TH
BR040	58	72	13	42

### Features



Watermark approved

DR Brass

Tested and certified to AS 3688

### Material Chart

Part	Material
Connector	DR Brass

For more information on Metforge, contact:

Austworld 15 Activity Crescent, Molendinar, Queensland 4214 Australia

P. 1300 780 430

F. 1300 780 441

E. [info@austworld.com.au](mailto:info@austworld.com.au)

Austworld Pty Ltd. All rights reserved 2018. Austworld and Metforge are registered trade mark belonging to Austworld Pty Ltd.

