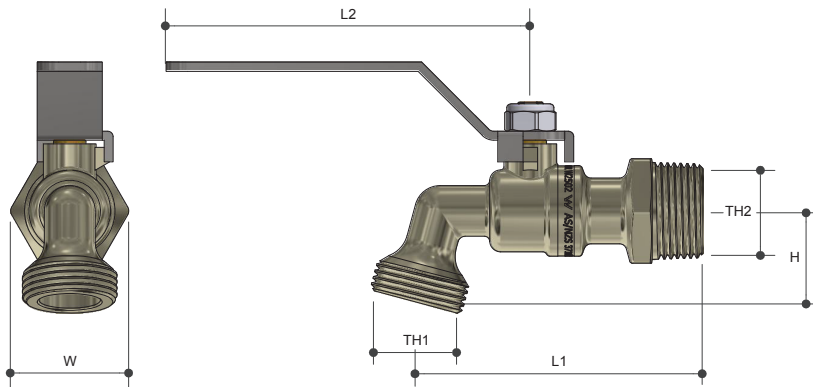


BIB COCK

Watermarked Lever Action

Product Specifications



Specifications

Maximum working temperature 1 °C to 120 °C

Maximum pressure rating 1600kPa

Sizing Chart (MM)

	L1	L2	H	W	TH1	TH2
BC2020	79	101	25	33	DN20	R 3/4"

Features



100% pressure tested

Blow proof spindle

Stainless steel handle and nut

Material Chart

Part	Material
Washer	EPDM
Cap	DR Brass
Ball	DR Brass
Bonnet	DR Brass
Barb	Stainless Steel
O Ring	EPDM
Handle	Stainless Steel
Spindle	DR Brass

For more information on Logi Valve, contact:
Austworld 15 Activity Crescent, Molendinar, Queensland 4214 Australia

P. 1300 780 430 F. 1300 780 441 E. info@austworld.com.au

Austworld Pty Ltd. All rights reserved 2018. Austworld and Logi Valve are registered trade mark belonging to Austworld Pty Ltd.

