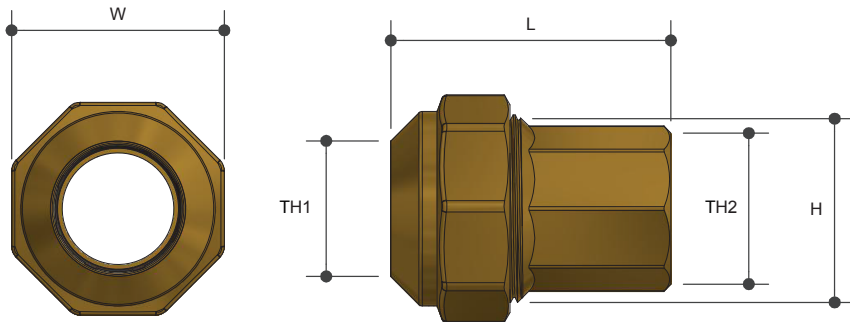


# POLY CONNECTORS

Union DN X FI

Product Specifications



## Specifications

Working temperature -20°C to 60°C

Max. pressure rating 1600kPa

## Sizing Chart (MM)

	L	H	W	TH1	TH2
AW4205	57	38	43	DN25	Rp 3/4"
AW4206	60	43	50	DN32	Rp 1"

## Features

Watermark approved

DR Brass

100% pressure tested

No disassembly required, pipe can be inserted without disassembling the fitting

Triple lip seal

No fidly thimbles or grab rings

Spare parts available

Tested and certified to AS 4796

## Material Chart

Part	Material
Socket	DR Brass
Clamp Ring	POM Acetal Resin
Nut	DR Brass
Seal	EPDM

For more information on Logi Civil, contact:  
Austworld 15 Activity Crescent, Molendinar, Queensland 4214 Australia  
P. 1300 780 430 F. 1300 780 441 E. info@austworld.com.au

Austworld Pty Ltd. All rights reserved 2018.  
Austworld and Logi Civil are registered trade mark belonging to Austworld Pty Ltd.

