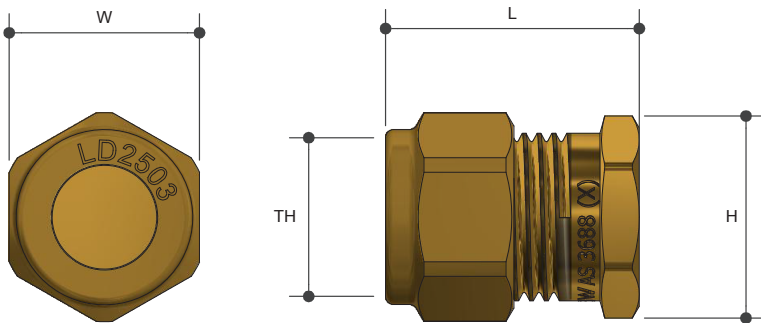


COPPER COMPRESSION

Stop End

Product Specifications

Metforge®
brassware



Specifications

Maximum working temperature 1°C to 95°C

Maximum pressure rating 1600kPa

Sizing Chart (MM)

	L	H	W	TH
AW2200	31	25	23	15
AW2201	25	25	31	20
AW2201NB	25	25	31	20

Features



Watermark approved

DR Brass

Tested and certified to AS 3688

Material Chart

Part	Material
End Cap	DR Brass
Compression Nut	DR Brass
Olive	Copper

For more information on Metforge, contact:

Austworld 15 Activity Crescent, Molendinar, Queensland 4214 Australia

P. 1300 780 430

F. 1300 780 441

E. info@austworld.com.au

Austworld Pty Ltd. All rights reserved 2018. Austworld and Metforge are registered trade mark belonging to Austworld Pty Ltd.

AW
AUSTWORLD