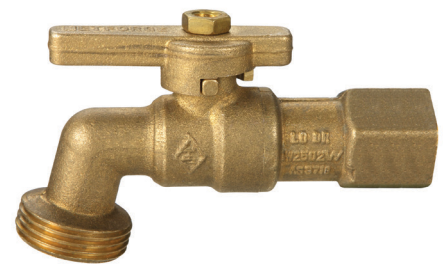
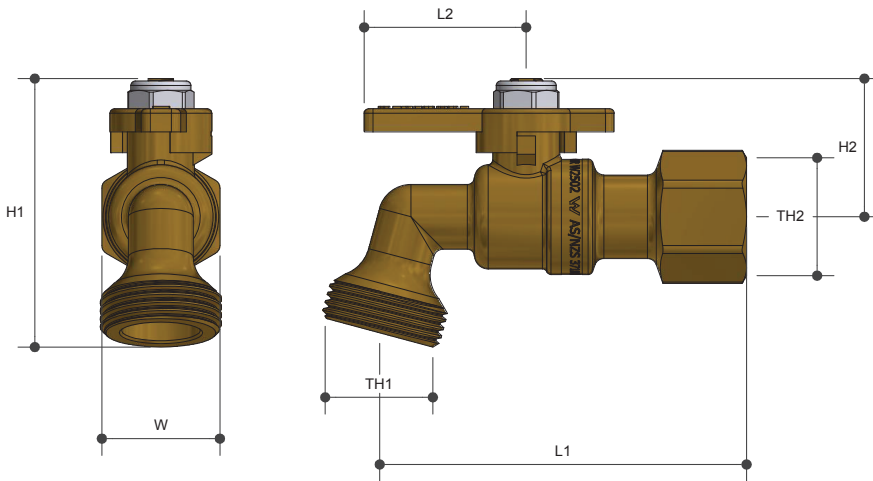


# HOSE TAPS

Quarter Turn Fl Lead Free

Product Specifications



## Specifications

Working Temperature 1°C to 75°C

Maximum Pressure Rating 1000kPa

## Sizing Chart (MM)

	L1	L2	H1	H2	W	TH1	TH2
TH104LF	79	35	58	30	26	G 3/4"	G 1/2"
TH105LF	81	35	60	31	31	G 1"	G 3/4"

## Features

Watermark Lead Free Approved

100% Pressure Tested

Brass

Blow Proof Spindle

Tested and Certified to AS/NZS 3718



## Material Chart

Part	Material
Body	DR Lead Free Brass
Ball	Stainless Steel
Spindle	Stainless Steel
Cap	DR Lead Free Brass
Nut	Stainless Steel
Seal	PTFE
O Ring	EPDM
Handle	DR Brass
Aerator	PE

For more information on Metforge, contact:

Austworld 15 Activity Crescent, Molendinar, Queensland 4214 Australia

P. 1300 780 430

F. 1300 780 441

E. [info@austworld.com.au](mailto:info@austworld.com.au)

Austworld Pty Ltd. All rights reserved 2018. Austworld and Metforge are registered trade mark belonging to Austworld Pty Ltd.

