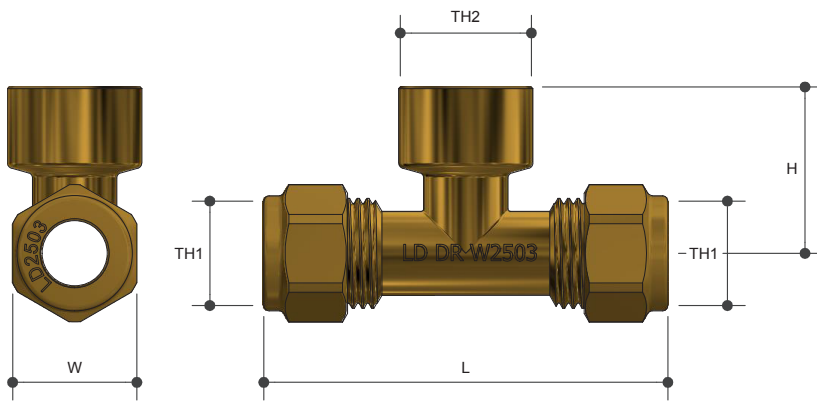


COPPER COMPRESSION

Tee Double Union

Product Specifications



Features

Watermark approved

DR Brass

Tested and certified to AS 3688

Specifications

Maximum working temperature 1°C to 95°C

Maximum pressure rating 1600kPa

Sizing Chart (MM)

| | L | H | W | TH1 | TH2 |
|--------|----|----|----|-----|---------|
| AW2190 | 76 | 31 | 23 | 15C | Rp 1/2" |

Material Chart

| Part | Material |
|-----------------|----------|
| Elbow | DR Brass |
| Compression Nut | DR Brass |
| Olive | Copper |

For more information on Metforge, contact:

Austworld 15 Activity Crescent, Molendinar, Queensland 4214 Australia

P. 1300 780 430

F. 1300 780 441

E. info@austworld.com.au

Austworld Pty Ltd. All rights reserved 2018. Austworld and Metforge are registered trade mark belonging to Austworld Pty Ltd.

