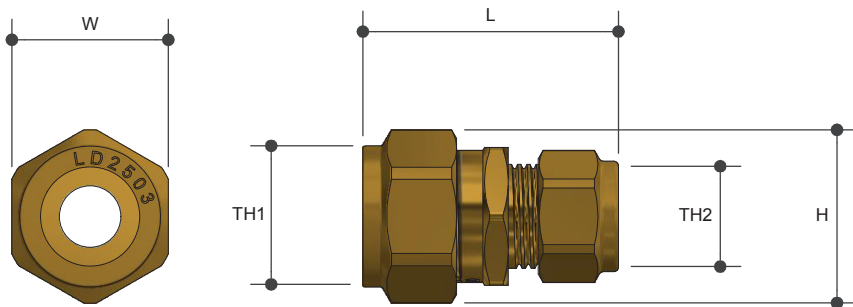


COPPER COMPRESSION

Union C X C Reducing

Product Specifications



Specifications

Maximum working temperature 1 °C to 95 °C

Maximum pressure rating 1600kPa

Sizing Chart (MM)

	L	H	W	TH1	TH2
AW2102	50	34	31	20C	15C
AW2102NB	50	34	31	20C	15C

Features

Watermark approved

DR Brass

Tested and certified to AS 3688

Material Chart

Part	Material
Nipple	DR Brass
Compression Nut	DR Brass
Olive	Copper

For more information on Metforge, contact:

Austworld 15 Activity Crescent, Molendinar, Queensland 4214 Australia

P. 1300 780 430

F. 1300 780 441

E. info@austworld.com.au

Austworld Pty Ltd. All rights reserved 2018. Austworld and Metforge are registered trade mark belonging to Austworld Pty Ltd.

