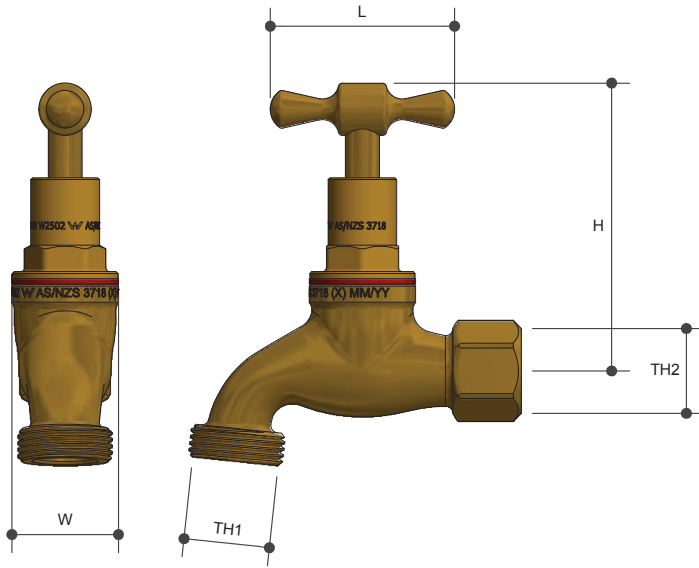


# HOSE TAPS

Standard FI Lead Free

Product Specifications



## Specifications

Working Temperature 1°C to 75°C

Max. Pressure Rating 1000kPa

## Sizing Chart (MM)

|          | L  | H  | W  | TH1    | TH2    | FINISH |
|----------|----|----|----|--------|--------|--------|
| TH97LF   | 51 | 81 | 30 | G 3/4" | G 1/2" | BR     |
| TH97MBLF | 51 | 81 | 30 | G 3/4" | G 1/2" | M/B    |
| TH98LF   | 51 | 81 | 30 | G 3/4" | G 1/2" | N/P    |
| TH99LF   | 51 | 81 | 30 | G 3/4" | G 1/2" | C/P    |
| TH106LF  | 51 | 80 | 33 | G 1"   | G 3/4" | BR     |

## Features

Watermark Lead Free Approved

100% Pressure Tested

Available in Brass, Chrome, Matte Black & Nickel Plated

Double O Ring on Spindle

Tested and Certified to AS/NZS 3718



## Material Chart

| Part    | Material           |
|---------|--------------------|
| Body    | DR Lead Free Brass |
| Seal    | EPDM               |
| Jumper  | PA                 |
| Spindle | DR Lead Free Brass |
| Washer  | Fibre              |
| O Ring  | EPDM               |
| Bonnet  | DR Lead Free Brass |
| Handle  | Brass              |

For more information on Metforge, contact:

Austworld 15 Activity Crescent, Molendinar, Queensland 4214 Australia

P. 1300 780 430

F. 1300 780 441

E. info@austworld.com.au

Austworld Pty Ltd. All rights reserved 2018. Austworld and Metforge are registered trade mark belonging to Austworld Pty Ltd.

