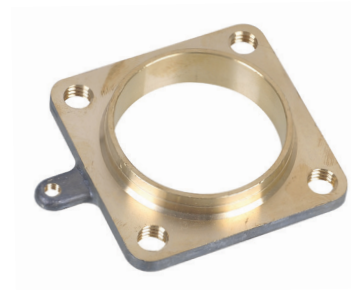
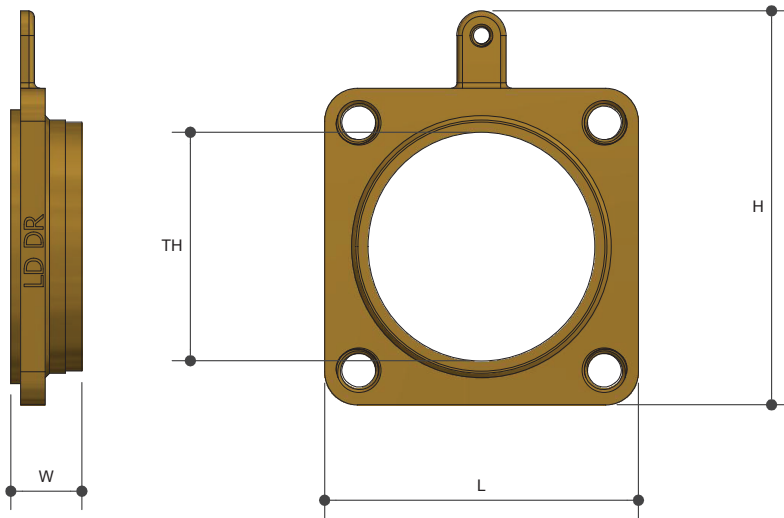


HOT WATER BOILING COMPONENTS

Bolt and Tank Element Mount Lead Free

Product Specifications



Specifications

Maximum Working Temperature 1°C to 99°C

Maximum Pressure Rating 1600kPa

Sizing Chart (MM)

	L	H	W	TH
BR040LF	58	72	13	42

Features

Watermark Lead Free Approved

Tested and Certified to AS 3688



Material Chart

Part	Material
Connector	DR Lead Free Brass

For more information on Metforge, contact:

Austworld 15 Activity Crescent, Molendinar, Queensland 4214 Australia

P. 1300 780 430

F. 1300 780 441

E. info@austworld.com.au

Austworld Pty Ltd. All rights reserved 2018. Austworld and Metforge are registered trade mark belonging to Austworld Pty Ltd.

