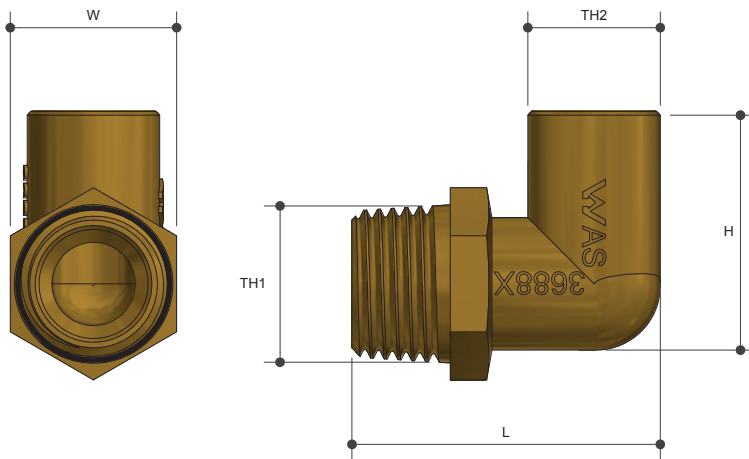


# BRASS CAPILLARY

Elbow MI X Cap No. 13

Product Specifications



## Specifications

Working temperature 1°C - 99°C

Maximum pressure 1600kPa

## Sizing Chart (MM)

	L	H	W	TH1	TH2
AW395	41	23	22	R 1/2"	15OD
AW396	46	34	22	R 3/4"	20OD

## Features



Watermark Approved

DR Brass

Tested and certified to AS 3688

## Material Chart

Part	Material
Elbow	DR Brass

For more information on Metforge, contact:

Austworld 15 Activity Crescent, Molendinar, Queensland 4214 Australia

P. 1300 780 430

F. 1300 780 441

E. [info@austworld.com.au](mailto:info@austworld.com.au)

Austworld Pty Ltd. All rights reserved 2018. Austworld and Metforge are registered trade mark belonging to Austworld Pty Ltd.

