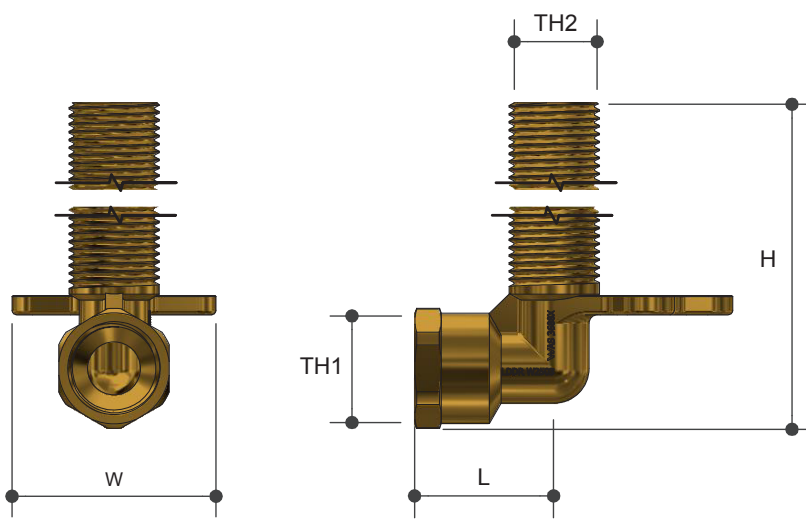


SCREWED BRASSWARE

Front Lugged Extension Elbow

Product Specifications



Specifications

Working temperature 1 °C to 60 °C

Maximum pressure rating 1000kPa

Sizing Chart (MM)

	L	H	W	TH1	TH2
AW360	32	118	46	Rp 1/2"	G 1/2"

Features



Watermark approved

DR Brass

Tested and certified to AS 3688

Material Chart

Part	Material
Elbow	DR Brass

For more information on Metforge, contact:

Austworld 15 Activity Crescent, Molendinar, Queensland 4214 Australia

P. 1300 780 430

F. 1300 780 441

E. info@austworld.com.au

Austworld Pty Ltd. All rights reserved 2018. Austworld and Metforge are registered trade mark belonging to Austworld Pty Ltd.

