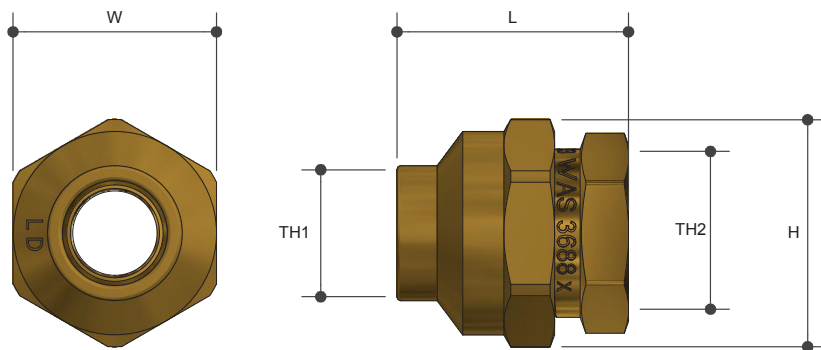


FLARED COMPRESSION

Union FI X C Reducing

Product Specifications

Metforge®
brassware



Specifications

Maximum working temperature 1°C to 95°C

Maximum pressure rating 1600kPa

Features

Watermark approved

DR Brass

Tested and certified to AS 3688

Sizing Chart (MM)

	L	H	W	TH1	TH2
AW156	29	28	25	15C	Rp 3/8"
AW160	40	29	26	10C	Rp 1/2"
AW164	40	35	32	20C	Rp 1/2"
AW168	44	35	31	15C	Rp 3/4"
AW168NB	44	35	31	15C	Rp 3/4"
AW169	54	44	39	20C	Rp 1"
AW172	37	43	38	25C	Rp 3/4"

Material Chart

Part	Material
Union	DR Brass
Compression Nut	DR Brass

For more information on Metforge, contact:

Austworld 15 Activity Crescent, Molendinar, Queensland 4214 Australia

P. 1300 780 430

F. 1300 780 441

E. info@austworld.com.au

Austworld Pty Ltd. All rights reserved 2018. Austworld and Metforge are registered trade mark belonging to Austworld Pty Ltd.

AW
AUSTWORLD