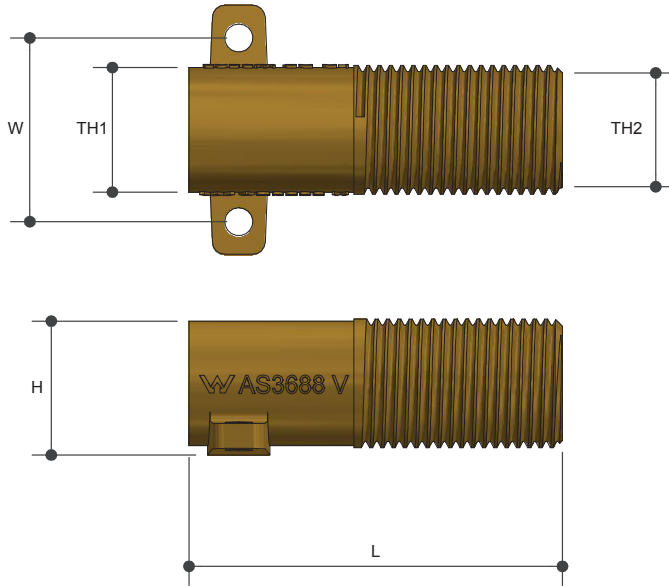


# BRASS CAPILLARY

## Winged Connector No. 5

### Product Specifications



### Specifications

Working temperature 1°C - 99°C

Maximum pressure 1600kPa

### Sizing Chart (MM)

	L	H	W	TH1	TH2
AW001	60	22	30	DN15	G 1/2"

### Features



Watermark Approved

DR Brass

Tested and certified to AS 3688

### Material Chart

Part	Material
Connector	DR Brass

For more information on Metforge, contact:  
Austworld 15 Activity Crescent, Molendinar, Queensland 4214 Australia  
P. 1300 780 430 F. 1300 780 441 E. info@austworld.com.au

Austworld Pty Ltd. All rights reserved 2018. Austworld and Metforge are registered trade mark belonging to Austworld Pty Ltd.

