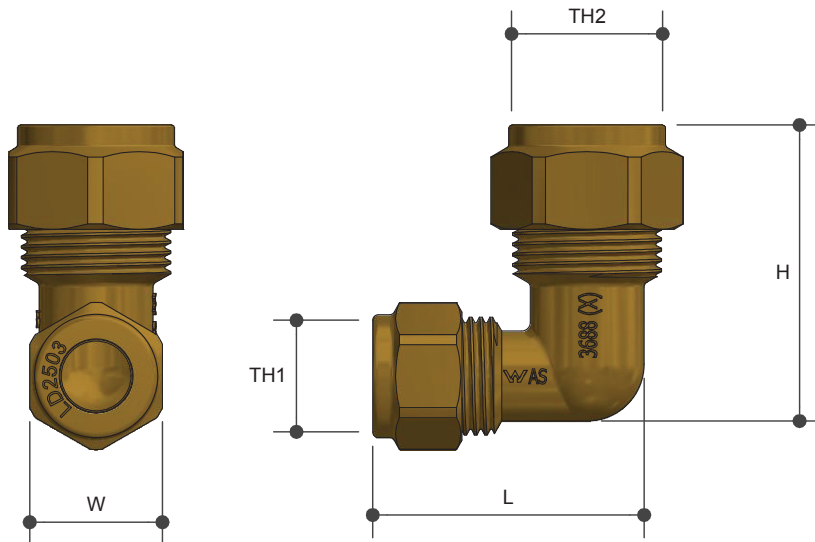


NYLON COMPRESSION

Elbow C X C Reducing Lead Free

Product Specifications

Metforge®
b r a s s w a r e



Specifications

Maximum Working Temperature 1°C to 95°C

Maximum Pressure Rating 1600kPa

Sizing Chart (MM)

	L	H	W	TH1	TH2
AW1132LF	47	52	23	15C	20C

Features

Watermark Lead Free Approved

Brass Finish

Tested and Certified to AS 3688

Material Chart

Part	Material
Elbow	DR Lead Free Brass
Compression Nut	Brass
Olive	Nylon

For more information on Metforge, contact:

Austworld 15 Activity Crescent, Molendinar, Queensland 4214 Australia

P. 1300 780 430

F. 1300 780 441

E. info@austworld.com.au

Austworld Pty Ltd. All rights reserved 2018. Austworld and Metforge are registered trade mark belonging to Austworld Pty Ltd.

AW
AUSTWORLD