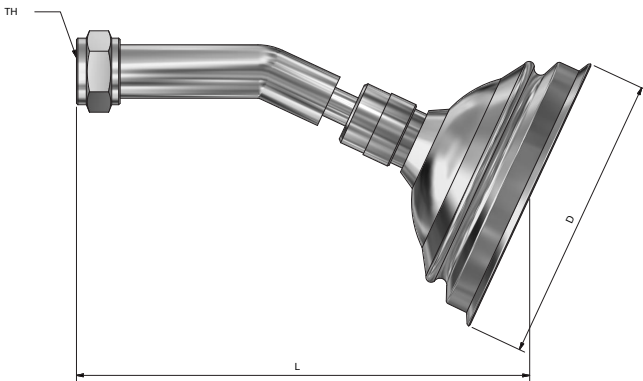


Ball Joint Shower

WS024

Product Specifications

MT MONOPOLY™
T A P W A R E



Specifications

Maximum working temperature 80°C

Maximum pressure rating 1000kPa

Features

Watermark approved

Chrome plated finish

Swivel ball joint

Tested and certified to AS/NZS 3662



Sizing Chart [MM]

| Model | L | TH | D |
|-------|-----|--------|-----|
| WS024 | 150 | G 1/2" | 102 |



For more information on Monopoly Tapware, contact:
Austworld 15 Activity Crescent, Molendinar, Queensland 4214 Australia
P. 1300 780 430 F. 1300 780 441 E. info@austworld.com.au

Austworld Pty Ltd. All rights reserved 2018. Austworld and Monopoly Tapware are registered trade mark belonging to Austworld Pty Ltd.

