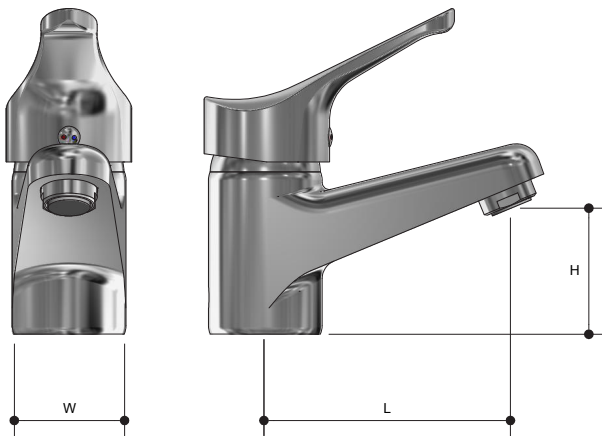


Whitehall Basin Mixer Fixed

2858

Product Specifications

MT MONOPOLY™
TAPWARE



Specifications

Maximum working temperature 80°C

Maximum pressure rating 1000kPa

Sizing Chart (MM)

	L	H	W
2858	110	51	50

Features

Watermark approved

Chrome plated finish

Tested and certified to AS/NZS 3718



For more information on Monopoly Tapware, contact:
Austworld 15 Activity Crescent, Molendinar, Queensland 4214 Australia
P. 1300 780 430 F. 1300 780 441 E. info@austworld.com.au

Austworld Pty Ltd. All rights reserved 2018. Austworld and Monopoly Tapware are registered trade mark belonging to Austworld Pty Ltd.

AW
AUSTWORLD