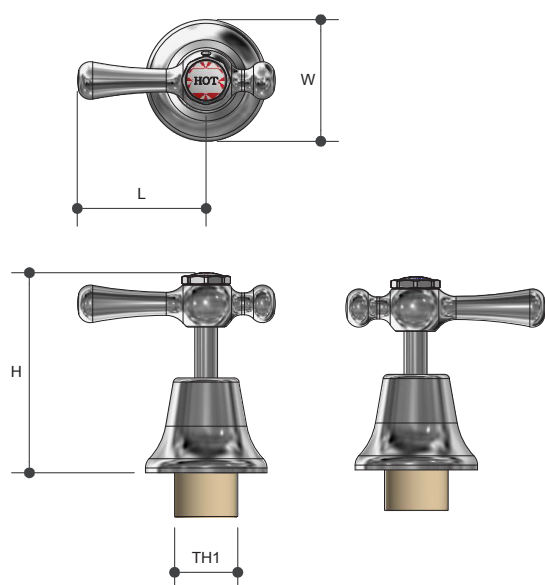


Whitehall EZY Clean Tapware LEVER BASIN TOP ASSEMBLY CERAMIC DISC

4286

Product Specifications



MT MONOPOLY™ TAPWARE



Specifications

Maximum working temperature 75°C

Maximum pressure rating 1000kPa

Sizing Chart (MM)

4286	L	H	W	TH
4286	53	82	50	G 5/8"

Features

Watermark approved

Anti vandal

Chrome plated finish

Premium quarter turn ceramic disc

Tested and certified to AS/NZS 3718



For more information on Monopoly Tapware, contact:
Austworld 15 Activity Crescent, Molendinar, Queensland 4214 Australia
P. 1300 780 430 F. 1300 780 441 E. info@austworld.com.au

Austworld Pty Ltd. All rights reserved 2018. Austworld and Monopoly Tapware are registered trade mark belonging to Austworld Pty Ltd.

AW

AUSTWORLD